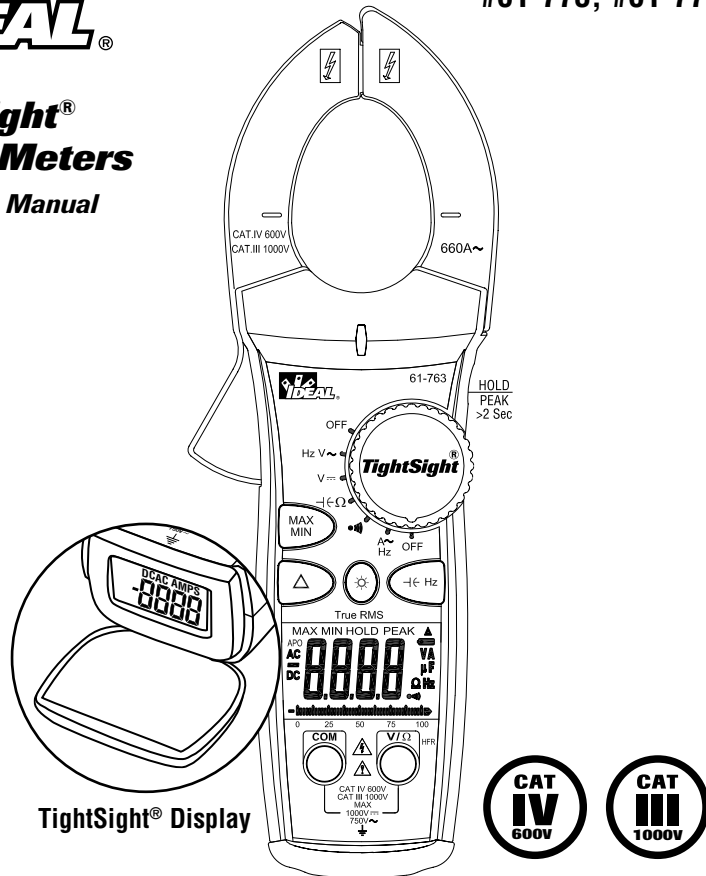




TightSight® Clamp Meters


Instruction Manual

#61-763, #61-765
#61-773, #61-775



⚡ ⚠ WARNING

To avoid possible electric shock, personal injury or death, follow these guidelines:

- Do not use if meter appears damaged. Visually inspect the meter to ensure case and jaws are not cracked.
- Inspect and replace test leads if insulation is damaged, metal is exposed, or probes are cracked. Pay particular attention to the insulation surrounding the connectors.
- To preserve the safety rating of this product, use only test leads with a minimum rating of CAT IV 600V, CAT III 1000V. Do not use improvised connections that could present a safety hazard.
- Always ensure the meter, test leads and all accessories meet or exceed the measurement category required in the working environment. (i.e. CAT rating)
- Note that the measurement category and voltage rating of combinations of the meter, the test leads, and the accessories is the lowest of the individual components.
- Do not use meter if it operates abnormally as protection maybe impaired.
- Do not use during electrical storms or in wet weather.
- Do not use around explosive gas, dust, vapor, amperage or in damp or wet environments.
- Do not apply more than the rated voltage or amperage
- Remove the test leads from the input jacks before measuring current.
- Replace battery as soon as battery indicator  appears to avoid false readings.
- Remove the test leads from the meter prior to removing battery cover.
- Do not use without the battery and battery cover properly installed.
- Do not attempt to repair this unit as it has no user-serviceable parts.
- Use the proper terminals, functions and range for your measurements.
- Never ground yourself when taking electrical measurements.
- Connect the black common lead to ground or neutral before applying the red test lead to potential voltage. Disconnect the red test lead from the voltage first.
- Keep fingers behind the guard rings of the probe tips.
- Hold the clamp behind the tactile barrier.
- Voltages exceeding 30VAC or 60VDC pose a shock hazard so use caution.

⚠ CAUTION

To protect yourself, think "Safety First":

- Comply with local and national safety codes.
- Use appropriate personal protective equipment such as face shields, insulating gloves, insulating boots, and/or insulating mats.
- Before each use:
 - Perform a continuity test by touching the test leads together to verify the functionality of the battery and test leads.
 - Use the 3 Point Safety Method. (1) Verify meter operation by measuring a known voltage. (2) Apply meter to circuit under test. (3) Return to the known live voltage again to ensure proper operation.
- Always work with a partner.

Register your product and access more information at www.idealindustries.com

⚠ Read First: Safety Information

Understand and follow operating instructions carefully. Use the meter, test leads and all accessories only as specified in this manual; otherwise, the protection provided by the meter can be impaired.

Common Features:

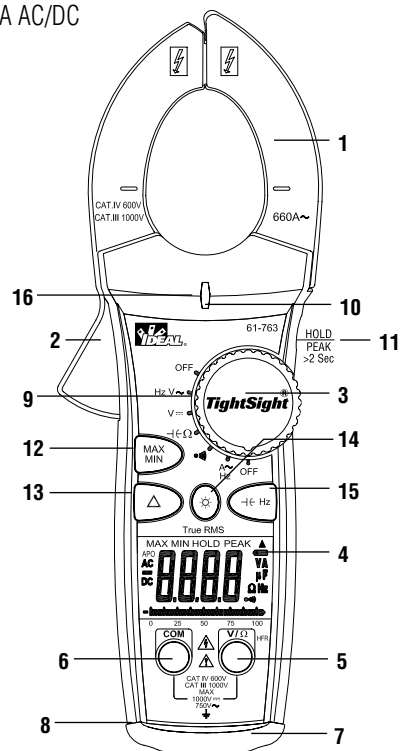
- Large numbers and symbols displayed
- TightSight® bottom display
- Visual and selectable audible indication when voltage is present
- Measures AC/DC Voltage, Resistance & Capacitance
- Audible continuity
- Bright, bold backlight
- Peak, max/min, data hold
- Selectable Auto power off and low battery indicator
- Tapered jaws for reaching into tight spaces
- Hook tip for easier wire separation
- Protective rubber boot
- Electronic overload protection on all ranges
- Cat IV-600V/Cat III-1000V
- All models employ a High Frequency Reject (HFR) circuit to filter noise or help in making accurate measurements on complex wave shapes like those found on Adjustable Speed Drives (ASDs)

Model Specific Features:

- 61-763: 660AAC
- 61-773: 1000A AC
- 61-765: 660A AC/DC
- 61-775: 1000A AC/DC

Features

1. Tapered jaws w/hook tip
2. Lever
3. Function Dial
4. Main Display (LCD)
5. Volts and resistance (V-Ω) input terminal
6. Common (COM) input terminal
7. TightSight® bottom display
8. Protective rubber boot
9. Measuring Functions
10. High Voltage (Hi-V) warning
11. Data & Peak Hold
12. Max/min
13. Relative (61-763, 61-773) Relative/Zero (61-765, 61-775)
14. Backlight
15. Capacitance (⊖) / Frequency (Hz)
16. Tactile barrier



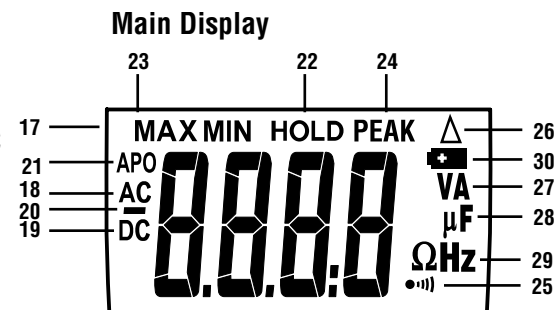
3

Symbols on the Unit

	Risk of Danger. Important Information. See Manual.
	Hazardous voltage. Risk of electrical shock.
	Application around and removal from Hazardous Live conductors is permitted.
	AC (Alternating Current)
	DC (Direct Current)
	Earth Ground
CAT II	Measurement Category II applies to test and measuring circuits connected directly to utilization points (socket outlets and similar points) of the low-voltage installation
CAT III	Measurement Category III applies to measuring circuits connected to the distribution part of the building's low-voltage installation
CAT IV	Measurement Category IV applies to test and measuring circuits connected at the source of the building's low-voltage installation

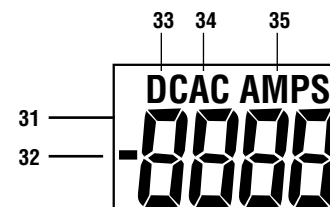
Main Display Icons

17. 9999 count display
18. AC measurement
19. DC measurement
20. Polarity indicator for DC
21. Auto Power Off (APO)
22. Hold
23. Min/Max
24. Peak
25. Audible continuity
26. Relative
27. Volts/Amps
28. Farads
29. Hertz/Ohms
30. Low battery indicator



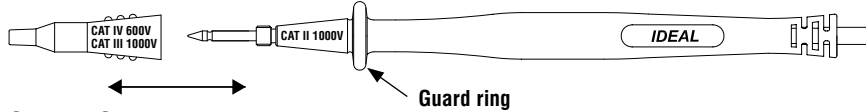
TightSight® Display Icons

31. 9999 count display
32. Polarity indicator for DC
33. DC measurement
34. AC measurement
35. Amps



4

Test Leads



OPERATION:

High Voltage Warning (HI-V)

The meter beeps and lights an LED when measuring > 30V AC on the VAC function and >30V DC when on the VDC function.

Notes: This feature does not work in the Ohm, capacitor, continuity or clamp modes. Audible indication can be disabled by pressing and holding the Max/min button while turning the function switch from OFF to any desired Function. Wait for **Hb** to be displayed and then release the button. To enable, turn the unit off and back on.

Data Hold Feature

Press the Hold button on the side of the meter to toggle in and out of the data hold mode. "HOLD" appears in the upper left of the meter display when data hold is active. Use the data hold feature to lock a measurement reading on the display. Press the Hold button again to unlock the display and obtain a real-time reading.

Peak Feature

In PEAK mode, the meter displayed the PEAK value of AC Volts or Current measurement. PEAK function is enabled by Depressing the PEAK HOLD button for > 2 seconds. To Exit PEAK Mode Depress the PEAK HOLD button again for > 2 seconds.

Max/Min Feature

The Max/Min records the maximum and minimum measured value. Press the Max/Min button to activate this feature and to toggle between max, and Min readings. The unit will continually capture max and min values over time. Depressing the max/min button for >2 sec. exits the mode. Note: To record max/min values over a time period >30 min, the Auto Power Off (APO) feature must be defeated.

Relative Mode

Press "Δ" button to enter the Relative mode. The "Δ" symbol is displayed, and the value on the display is subtracted and stored as a reference value. In the Relative mode, the value shown on the display is always the difference between the stored reference value and the present reading. Press the "Δ" button again for > 2 seconds to exit the Relative mode.

Zero Feature (61-765, 61-775 models only)

The "ZERO" button is used to zero out the display before measuring DC current. Press the "ZERO" button to subtract out the non-zero number. Then, measure the DC amps. Pressing the "ZERO" button again causes the "ZERO" to flash and the original offset number to be displayed. Depress the "ZERO" button for >2 sec. to exit this mode.

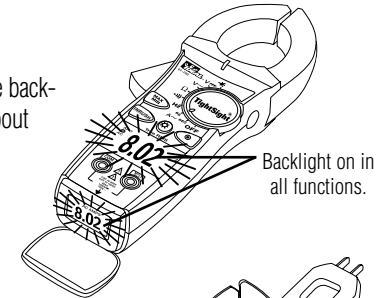
Auto Power Off (APO) Feature Disable

The meter automatically powers itself down after about 30 minutes of no use. Press any button, and the meter will wake up and display the last reading taken before power down. To Disable APO, press and hold the (H/Hz) button while turning the dial to any desired function. When APO is defeated, the "APO" will be removed from the display. Turning the meter off and back on will restore the APO default.

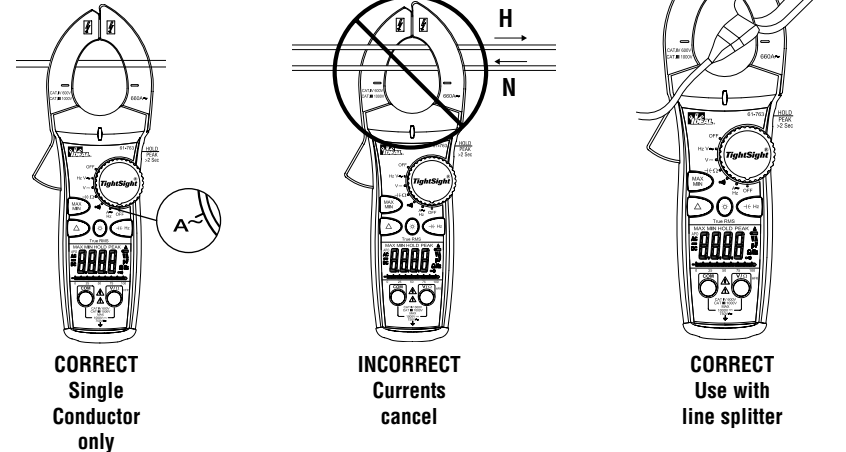
Backlight

Press the (Light) button in the middle of the meter to turn the backlight on and off. The green backlight will remain lit for about 3 minutes before it automatically turns off to conserve battery power.

Note: Backlight consumes 4x the battery power .

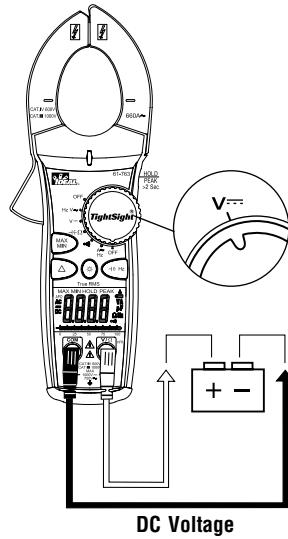
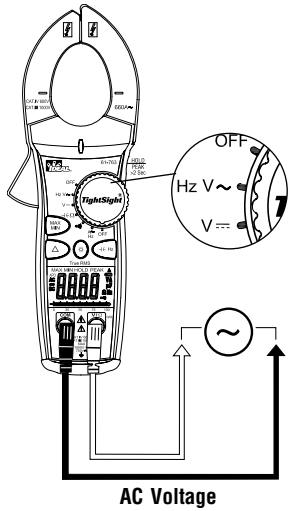


Measuring AC Current (Amps):



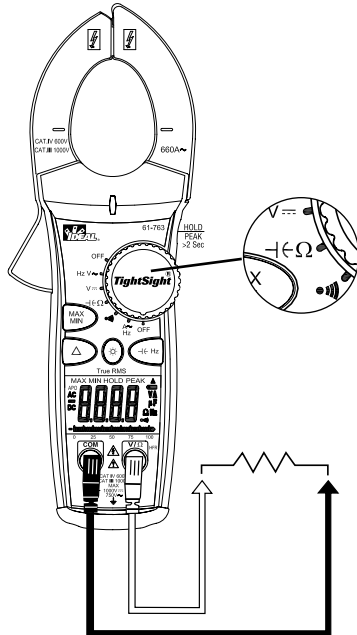
Note: 61-765 model also measures DC Current.

Measuring Voltage:



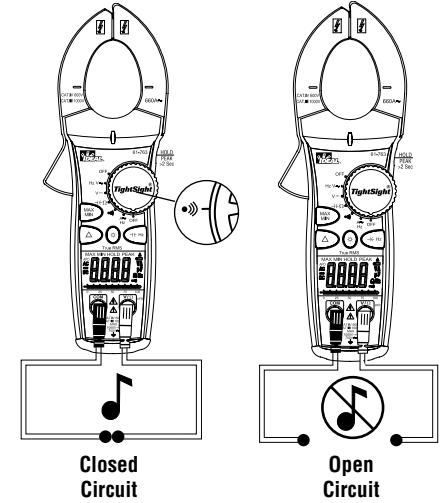
Measuring Resistance (Ohms):

- Verify the circuit is de-energized to obtain accurate measurements.

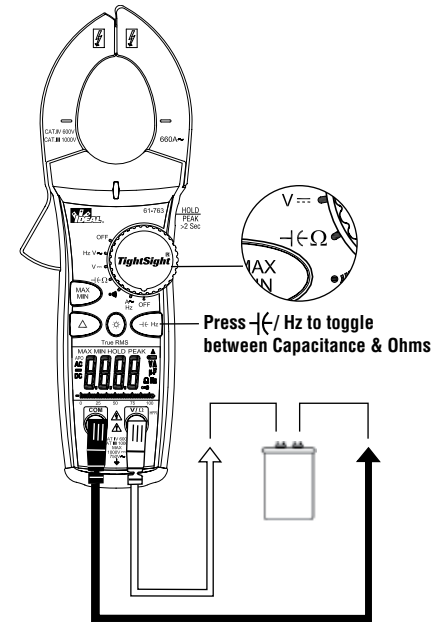


Verifying Continuity ()::

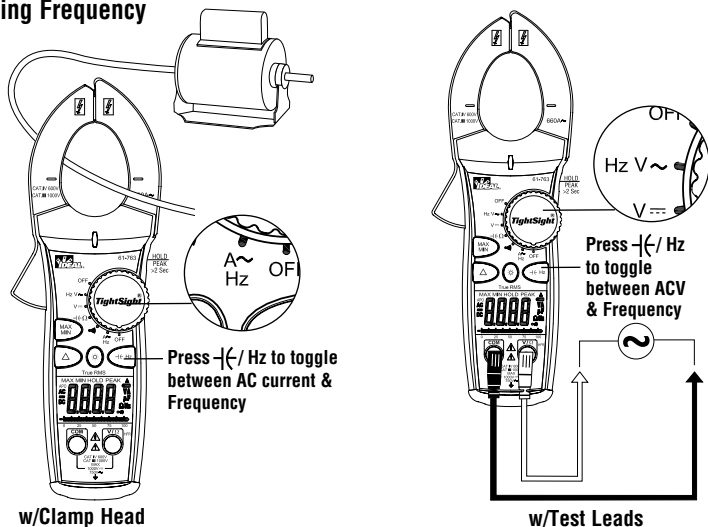
- Verify the circuit is de-energized.
- The meter will sense the level of resistance and beep if the resistance is less than 30 Ω to confirm that continuity is present.



Measuring Capacitance



Measuring Frequency

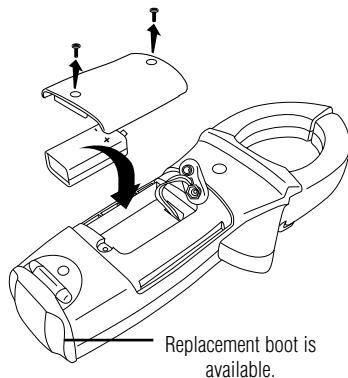


w/Clamp Head

w/Test Leads

Battery Replacement:

- Ensure test leads are disconnected from circuit or components.
- Remove test leads from input jacks on meter.
- Remove the two screws from the battery cap.
- Remove the battery cap.
- Replace battery with a new 9V battery.
- Assemble the battery cap to the meter and re-tighten the screws.



Maintenance:

Switch off and disconnect the meter completely before carrying out any maintenance. Clean the case with a damp cloth and mild detergent. Do not use abrasives or solvents. Keep away from liquids and ensure the meter is completely dry before use.

Service and Replacement Parts:

This unit has no user-serviceable parts.

For replacement parts or to inquire about service information contact IDEAL INDUSTRIES, INC. at 1-877-201-9005 or visit our website www.idealindustries.com.com.

Specifications:

- Displays:** 4 digit LCD with 9999 counts for both displays with 41 segment analog bar graph on front display
- Backlight:** Green illumination with auto-off after 3 minutes
- Polarity:** Automatic, positive implied, negative (-) polarity indication.
- Overrange:** "OL" indication is displayed.
- Zero:** Automatic
- Display (Measure) Rate:** Display updates 2 times per second, nominal.
- Auto Power Off:** After 30 minutes of non-use.
- Battery Life:** 100 hours continuous with Alkaline
- Low Battery Indication:** The "🔋" appears in the display with insufficient voltage for about one hour. Then "bAtt" displays for 5 seconds and unit powers down. Indicator duration varies by battery brand.
- Power Supply:** (1) 9V battery (NEDA 1604, JIS 006P, IEC 6F22)
With an isolated battery compartment.
- Accuracy:** Stated accuracy at 23°C ±5°C, <75% R.H.
- Temperature:** 0.1 x (specified accuracy) per °C,
- Coefficient:** (0°C to 18°C, 28°C to 50°C).
- Altitude:** 6561.7 ft. (2000m)
- Operating Environment:** 32°F to 122°F (0°C to 50°C) at < 70% R.H.
- Display Environment:** -4°F to 158°F (-20°C to +70°C)
- Storage Environment:** -4°F to 140°F (-20°C to 60°C) at < 80% R.H. without battery
- Jaw Opening:** 61-763/ 61-765 accepts a 1.42" (36mm) conductor
61-773/61-775 accepts a 2.0" (51mm) conductor
- Dimensions:** 61-763/61-765: 8.7"H x 3.1"W x 1.8"D (222mmH x 80mmW x 45.5mmD)
61-773/61-775: 10.6"H x 4.1"W x 1.9"D (270mmH x 103mmW x 48.5mmD)
- Weight:** 61-763/61-765: 12.3 oz. (350g) including battery
61-773/61-775: 1.1 lbs. (500g) including battery
- Accessories included:** Carrying Case, Test Leads with alligator clip, (1) 9V battery, operating instructions.
- Safety:** Safety: Complies with (UL61010-1) (Second Edition), IEC 61010-2-032, IEC 61010-031. EN61010-1, EN61010-2-032, EN61010-031 specifications, CAN/CSA C22.2 no. 1010.1-92 and CAN/CSA C22.2 No. 1010.2.032-96 Cat IV-600V/Cat III-1000V.



Double Insulation

Instrument has been evaluated and complies with insulation category IV (overvoltage category IV). Pollution degree 2 in accordance with IEC-644. Indoor use.

Ranges & Accuracies:

AC Converter: All models are true rms sensing.

Accuracy: Accuracy is specified as +/- (a percentage of the reading + a fixed count) at 23°C±5°C (73.4°F ± 9°F), less than 75% relative humidity.

Temperature Coefficient: 0.1 times the applicable accuracy specification per degree C from 0°C to 18°C and 28°C to 50°C (32°F to 64°F and 82°F to 122°F)

Function	Range and Resolution	Accuracy		Input Protection
		61-763/61-773	61-765/61-775	
AC Current ¹	0.0 to 660.0A (61-763/61-765)	2.0% + 5 (45Hz to 60Hz)	2.0% + 5 (20Hz to 100Hz)	660A AC (61-763/61-765) 1000A AC (61-773/61-775)
	0.0 to 999.9A (61-773/61-775)	6.0% + 5 (60Hz to 400Hz)	6.0% + 5 (100Hz to 400Hz)	
DC Current	0.0 to 660.0A (61-765) 0.0 to 999.9A (61-775)	N/A	2.0% + 5	660A DC (61-765 only) 1000A DC (61-775 only)
AC Voltage ^{1,2}	0.0 to 600.0V	1.0% + 5 (45Hz to 100Hz)	1.0% + 5 (20Hz to 100Hz)	1000VDC / 750VAC RMS
	600.0 to 750.0V	1.5% + 5 (45Hz to 100Hz)	1.5% + 5 (45Hz to 100Hz)	
	0.0 to 750.0V	6.0% + 5 (100Hz to 400Hz)	6.0% + 5 (100Hz to 400Hz)	
DC Voltage ²	0.0-600.0V	1.0% + 5	1.0% + 5	1000VDC / 750VAC RMS
	600.0 to 999.9V	1.5% + 5	1.5% + 5	
Resistance ³	0.0 to 999.9Ω	1.5% + 5	1.5% + 5	600V DC/AC RMS
	1000 to 9999Ω			
Capacitance	0.0 to 999.9μF	5.0% + 15	5.0% + 15	600V DC/AC RMS
Continuity	0.0 to 999.9Ω	Audible at < 30 Response time 500mS	Audible at < 30 Response time 500mS	600V DC/AC RMS
Frequency ⁴	20.0 to 400.0 Hz	0.5% + 5	0.5% + 5	1000VDC / 750VAC RMS

*Accuracy stated for crest factor ≤ 1.5 at full scale and ≤ 3 at half scale.

¹Peak Hold response time < 1ms; Accuracy is ±(5% rdg + 15 digits) @ 45-60Hz; >10V for VAC and >10A for A AC/DC

²Input impedance: 1MΩ.

³Open circuit voltage ≈ 1.2V DC

⁴Frequency Sensitivity: ≥ 5V rms on AC Volts using test leads

≥ 5AAC (20 to 100Hz) and ≥ 10AAC (100 to 400Hz) on AC Amps using clamp head.

Dispose of waste electrical and electronic equipment



In order to preserve, protect and improve the quality of environment, protect human health and utilize natural resources prudently and rationally, the user should return unserviceable product to relevant facilities in accordance with statutory regulations. The crossed-out wheeled bin indicates the product needs to be disposed separately and not as municipal waste.

Disposal of used batteries/accumulators!



The user is legally obliged to return used batteries and accumulators. Disposing used batteries in the household waste is prohibited! Batteries/accumulators containing hazardous substances are marked with the crossed-out wheeled bin. The symbol indicates that the product is forbidden to be disposed via the domestic refuse. The chemical symbols for the respective hazardous substances are **Cd** = Cadmium, **Hg** = Mercury, **Pb** = Lead.



You can return used batteries/accumulators free of charge to any collecting point of your local authority, our stores, or where batteries/accumulators are sold. Consequently you comply with your legal obligations and contribute to environmental protection.

Warranty Statement:

This tester is warranted to the original purchaser against defects in material and workmanship for two years from the date of purchase. During this warranty period, IDEAL INDUSTRIES, INC. will, at its option, replace or repair the defective unit, subject to verification of the defect or malfunction. This warranty does not apply to defects resulting from abuse, neglect, accident, unauthorized repair, alteration, or unreasonable use of the instrument.

Any implied warranties arising out of the sale of an IDEAL product, including but not limited to implied warranties of merchantability and fitness for a particular purpose, are limited to the above. The manufacturer shall not be liable for loss of use of the instrument or other incidental or consequential damages, expenses, or economic loss, or for any claim or claims for such damage, expenses or economic loss.

State laws vary, so the above limitations or exclusions may not apply to you. This warranty gives you specific legal rights, and you may also have other rights which vary from state to state.

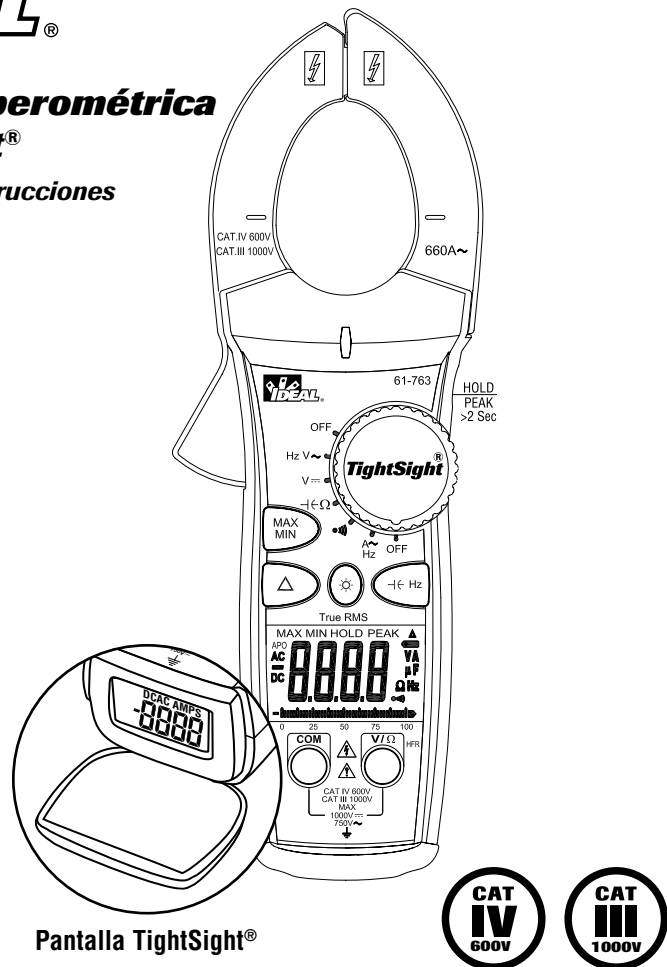
Warranty does not cover batteries.



Pinza amperométrica TightSight®

Manual de Instrucciones

#61-763, #61-765
#61-773, #61-775



Pantalla TightSight®

Registre su producto y acceda a más información en www.idealindustries.com

! Lea Primero: Información de Seguridad

Entienda y siga las instrucciones de operación cuidadosamente. Use el multímetro, las sondas y todos los accesorios únicamente como se especifica en este manual; de lo contrario, la protección que proporciona el multímetro puede verse perjudicada.

! ! ADVERTENCIA

Para evitar posibles riesgos de descarga eléctrica, lesiones o la muerte, siga estas directrices:

- No use el multímetro si el mismo parece estar dañado. Inspecciónelo visualmente para asegurarse de que la cubierta y la pinza no estén quebradas.
- Inspeccione y reemplace los cables si el aislamiento está dañado, hay metal expuesto o las sondas están quebradas. Preste atención especial al aislante alrededor de los conectores.
- Para mantener la clasificación de seguridad de este producto, use únicamente cables de sonda con una clasificación mínima de CAT IV 600V, CAT III 1000V. No use conexiones improvisadas que puedan presentar un riesgo de seguridad.
- Siempre asegúrese de que el multímetro, las sondas y todos los accesorios cumplan o excedan la categoría de medición necesaria en el ambiente de trabajo. (Por ejemplo, clasificación CAT)
- Tome nota de que la categoría de medición y la clasificación de voltaje de combinaciones del multímetro, la sondas y los accesorios es la más baja de los componentes individuales.
- No use el multímetro si funciona en forma anormal, porque la protección puede estar perjudicada.
- No use el multímetro durante tormentas eléctricas o en clima húmedo.
- No use el multímetro cerca de gas, polvo, vapor, amperaje explosivo o en ambientes húmedos o mojados.
- No aplique voltajes o amperajes superiores a las nominales.
- Quite las sondas de los puertos de entrada antes de medir corriente.
- Reemplace la batería tan pronto aparezca el indicador de carga de batería baja, para evitar las lecturas falsas.
- Retire las sondas del multímetro antes de quitar la tapa de la batería.
- No use el multímetro sin la batería, ni sin la tapa de la batería correctamente instalada.
- No intente reparar esta unidad ya que no tiene piezas reparables por el usuario.
- Use las terminales, funciones y rangos apropiados para sus medidas.
- No se conecte a tierra cuando tome medidas eléctricas.
- Conecte la sonda negra común a tierra o a neutro antes de tocar la sonda roja a voltaje potencial. Desconecte la sonda roja del voltaje primero.
- Mantenga los dedos detrás de los anillos protectores en las puntas de las sondas.
- Mantenga el producto tras la barrera táctil.
- Los voltajes superiores a 30 VCA o 60 VCD representan un riesgo de descarga eléctrica, así que tenga precaución.

! PRECAUCIÓN

Para protegerse, piense "¡La seguridad primero!":

- Cumpla con los requisitos de seguridad locales y nacionales.
- Use equipos de protección personal apropiados, tales como, caretas, guantes aislantes, calzado y/o alfombras aislantes.
- Antes de cada uso:
 - Realice una prueba de continuidad poniendo en contacto las sondas para verificar el funcionamiento de la batería y de las sondas.
 - Use el Método de Seguridad de 3 Puntos. (1) Verifique el funcionamiento del multímetro midiendo un voltaje conocido. (2) Aplique el multímetro al circuito en prueba. (3) Vuelva al voltaje conectado conocido para asegurar el funcionamiento correcto.
- Siempre trabaje con un compañero.

Características comunes:

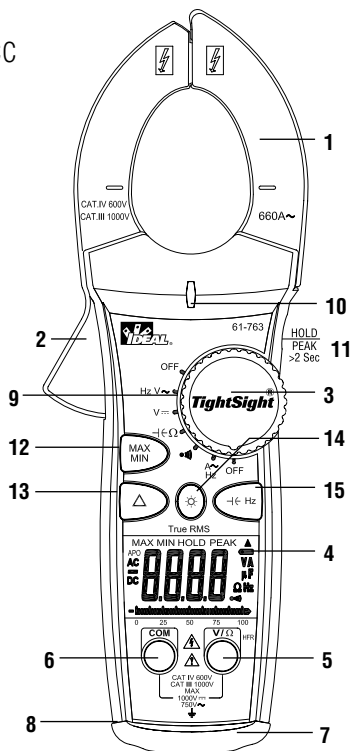
- Indicación con números y símbolos grandes
- Pantalla inferior TightSight™
- Indicación visual y audible seleccionable cuando hay presencia de voltaje
- Medida de voltaje de CA/CC, resistencia y capacitancia
- Verificación de continuidad con indicación audible
- Iluminación de fondo brillante y nítida
- Pico, máx/mín y retención de datos
- Apagado automático seleccionable e indicador de batería descargada
- Mordazas ahusadas, para penetrar en espacios estrechos
- Punta en forma de gancho, para facilitar la separación de cables
- Funda protectora de goma
- Protección electrónica contra sobrecarga en todos los alcances
- Cat IV-600 V / Cat III-1000 V
- Ambos modelos emplean un circuito de rechazo de alta frecuencia (HFR) para filtrar el ruido o contribuir a realizar medidas exactas de ondas de formas complejas como las que se encuentran en los variadores de velocidad ajustables (ASD)

Características específicas del modelo:

- 61-763: 660A CA
- 61-773: 1000A CA
- 61-765: 660A CA/CC
- 61-775: 1000A CA/CC

Características

1. Mordazas ahusadas con punta en forma de gancho
2. Palanca
3. Selector de funciones
4. Pantalla principal de cristal líquido (LCD)
5. Terminal de entrada para voltaje y resistencia (V-Ω)
6. Terminal de entrada común (COM)
7. Pantalla inferior TightSight®
8. Funda protectora de goma
9. Funciones de medida
10. Advertencia de alto voltaje (Hi-V)
11. Retención de datos y pico
12. Máximo/Mínimo
13. Modo relativo (61-763, 61-773)
Modo relativo/cero (61-765, 61-775)
14. Iluminación de fondo
15. Capacitancia (⊔) / Frecuencia (Hz)
16. Barrera táctil



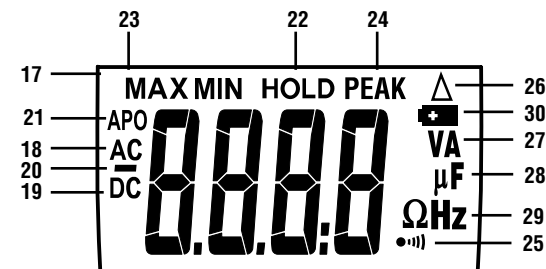
Símbolos de la unidad

	Riesgo. Información Importante. Vea el Manual.
	Voltaje peligroso. Peligro de choque eléctrico.
	Se permite la aplicación y el retiro de alrededor y de Conductores Energizados.
	CA (Corriente Alterna)
	CD (Corriente Directa)
	Tierra
CAT II	Categoría de Medición II aplica a la prueba y medición de circuitos directamente conectados a puntos de utilización (tomacorrientes y puntos similares) de la instalación de la red eléctrica de bajo voltaje
CAT III	Categoría de Medición III aplica a la medición de circuitos conectados a la parte de distribución de la instalación de la red eléctrica de bajo voltaje del edificio
CAT IV	Categoría de Medición IV aplica a la prueba y medición de circuitos conectados a la fuente de la instalación de la red eléctrica de bajo voltaje del edificio

Íconos de la pantalla principal

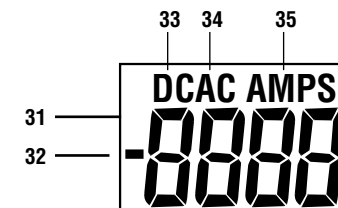
17. Pantalla de 9999 unidades
18. Medida de CA
19. Medida de CC
20. Indicador de polaridad para CC
21. Apagado automático (APO)
22. Retención
23. Mín/Máx
24. Pico
25. Verificación de continuidad con indicación audible
26. Modo relativo
27. Amperios/voltios
28. Faradios
29. Hertzios/ohmios
30. Indicador de batería descargada

Main Display

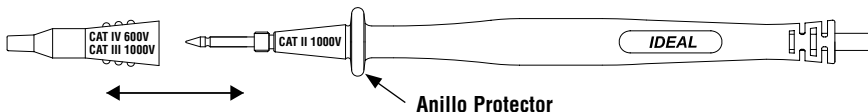


Íconos de la pantalla TightSight®

31. Pantalla de 9999 unidades
32. Indicador de polaridad para CC
33. Medida de CC
34. Medida de CA
35. Amperios



Sondas



OPERACIÓN:

Advertencia de alto voltaje (Hi-V)

El instrumento produce un pitido y se enciende un LED cuando se mide más de 30 V CA en la función de voltaje de corriente alterna y más de 30 V CC en la función de corriente continua.

Notas: Esta característica no funciona en los modos de medida de resistencia, capacitancia, continuidad o pinza amperométrica. La indicación audible se puede desactivar pulsando y reteniendo el botón Max/Min mientras se gira el conmutador de funciones de OFF a cualquier función deseada. Espere que aparezca Hb y entonces suelte el botón. Para activarla, apague y encienda la unidad.

Característica de retención de datos

Presione el botón Hold (Retención), ubicado en el costado del instrumento, para entrar y salir sucesivamente del modo de retención de datos. Cuando la función de retención de datos está activa, aparece en la parte superior izquierda de la pantalla del instrumento la leyenda 'HOLD' (RETENCIÓN). Utilice la característica de retención de datos para fijar la lectura de una medida en la pantalla. Para que la indicación de la pantalla deje de estar fija y pueda obtenerse una lectura en tiempo real, vuelva a pulsar el botón Hold (Retención).

Característica de medición de pico

En el modo PEAK (PICO), el instrumento muestra el valor PICO de la medición de voltaje o corriente alterna. Esta función se activa manteniendo pulsado el botón PEAK HOLD durante más de 2 segundos. Para salir del modo de PICO, mantenga pulsado nuevamente el botón PEAK HOLD durante más de 2 segundos.

Característica de máximo/mínimo

La característica Max/Min registra los valores medidos máximo y mínimo. Para activar esta característica, así como para alternar entre las lecturas máxima y mínima, pulse el botón Max/Min. La unidad captura continuamente valores máximos y mínimos a lo largo del tiempo. Para salir de este modo, presione el botón Max/Min durante más de 2 segundos. Nota: Para registrar los valores máximos o mínimos medidos en un período de tiempo mayor que 30 minutos, debe anularse la característica de apagado automático (APO).

Modo relativo

Pulse el botón "Δ" para entrar al modo relativo. Aparece el símbolo "Δ" y el valor de la pantalla se resta y almacena como valor de referencia. En el modo relativo, el valor mostrado en la pantalla es siempre la diferencia entre el valor de referencia almacenado y la lectura actual. Pulse nuevamente el botón "Δ" durante de 2 segundos para salir del modo relativo.

Característica de cero (modelos 61-765, 61-775 únicamente)

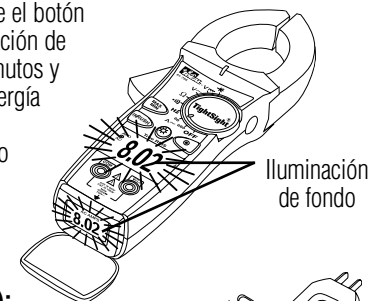
El botón "ZERO" se utiliza para la puesta a cero de la indicación de la pantalla antes de medir corriente continua (CC). Pulse el botón "ZERO" para restar el número distinto de cero. Luego mida la corriente continua (CC) en amperios. Al pulsar el botón "ZERO" nuevamente, el "ZERO" destella, y vuelve a aparecer el número original que se había desplazado. Para salir de este modo, pulse el botón "ZERO" durante más de 2 segundos.

Desactivación de la característica de apagado automático (APO)

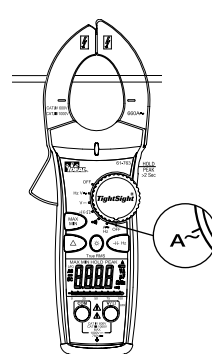
El instrumento se desactiva automáticamente después de 30 minutos sin uso. Si en esa situación pulsa cualquier botón, el instrumento se reactiva e indica en su pantalla la última lectura tomada antes de desactivarse. Para desactivar la característica APO, pulse y retenga el botón (H/Hz) mientras gira el selector a cualquier función deseada. Cuando se anula el apagado automático, la leyenda "APO" desaparece de la pantalla. Al apagar y encender nuevamente el instrumento, se restaura la característica de apagado automático por defecto.

Para encender y apagar la iluminación de fondo, pulse el botón ubicado en la parte media del instrumento. La iluminación de fondo verde permanece encendida durante unos 3 minutos y luego se apaga automáticamente, para preservar la energía de la batería.

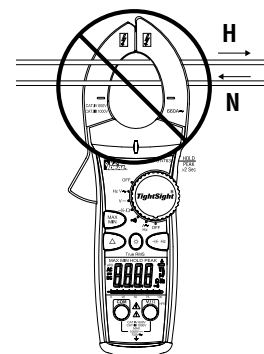
Nota: La iluminación de fondo cuadruplica el consumo de la batería. Iluminación de fondo encendida en todas las funciones.



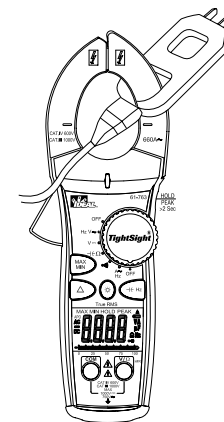
Medida de corriente alterna (CA) (amperios):



CORRECTO
Sólo un conductor



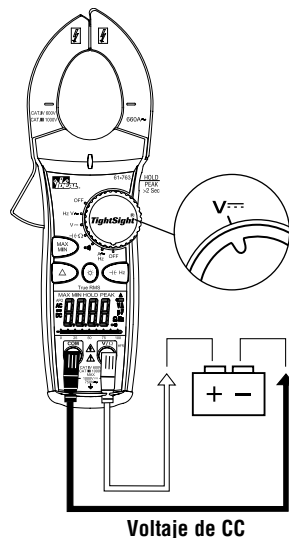
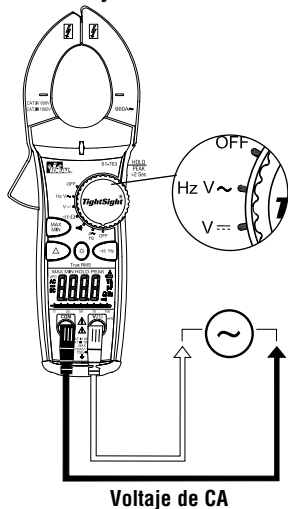
INCORRECTO
Las corrientes se anulan



CORRECTO
Uso con divisor de línea

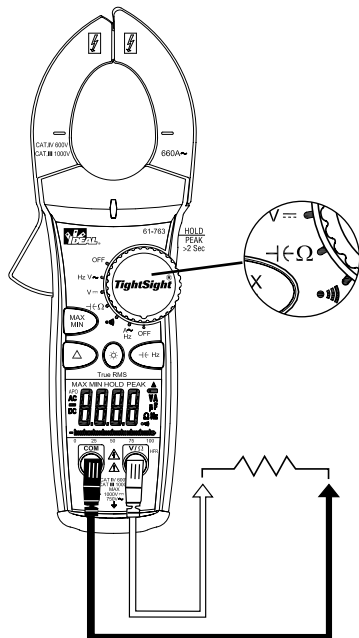
Nota: El modelo 61-765 mide también corriente continua (CC).

Medida de voltaje:



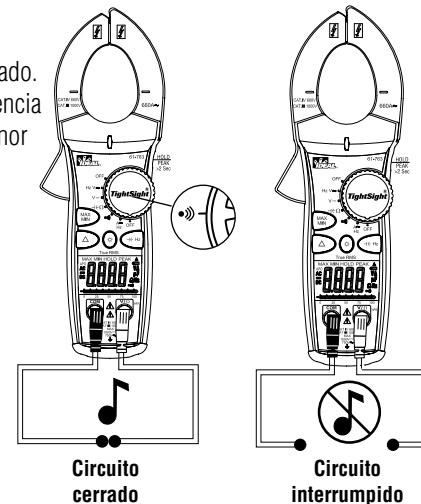
Medida de resistencia (ohmios):

- Para obtener medidas exactas, verifique que el circuito esté desenergizado.

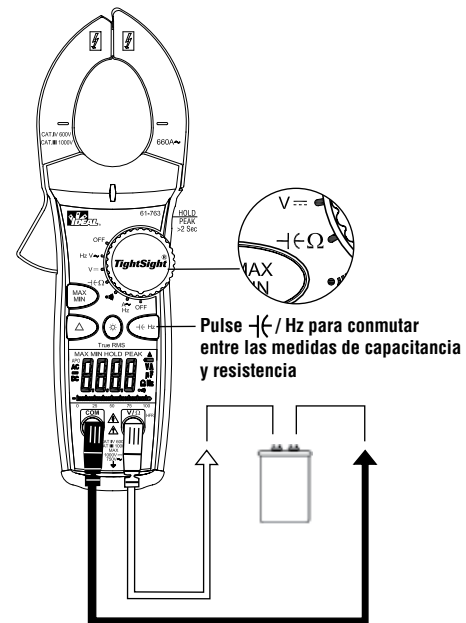


Verificación de continuidad (••••) :

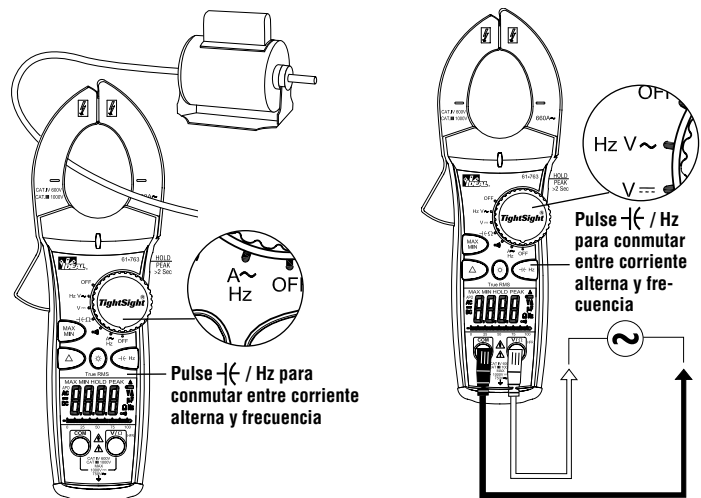
- Verifique que el circuito esté desenergizado.
- El instrumento detecta el nivel de resistencia y emite un pitido si la resistencia es menor que 30Ω para confirmar que existe continuidad.



Medida de capacitancia



Medida de frecuencia

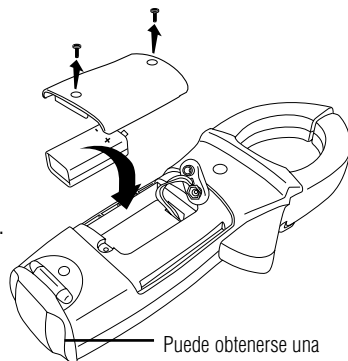


Con el cabezal de pinza

Con cables de prueba

Reemplazo de la batería:

- Asegúrese de que los cables de prueba estén desconectados del circuito o de los componentes.
- Retire los cables de prueba de los conectores hembra (jacks) de entrada del instrumento.
- Quite los dos tornillos de la tapa de la batería.
- Retire la tapa de la batería.
- Reemplace la batería por una nueva de 9 V.
- Monte la tapa de la batería en el instrumento y vuelva a apretar los tornillos.



Puede obtenerse una funda de repuesto.

Mantenimiento:

Apague y desconecte completamente el medidor antes de llevar a cabo cualquier mantenimiento. Limpie el estuche con un paño húmedo y un detergente suave. No use abrasivos o solventes. Mantenga alejado de líquidos y asegúrese de que el medidor esté completamente seco antes de usarlo.

Servicio y repuestos:

Esta unidad no contiene piezas reparables por el usuario. Para obtener información sobre piezas de repuesto o para averiguar acerca del servicio, comuníquese con IDEAL INDUSTRIES, INC. al 1-877-201-9005 o visite nuestro sitio web, www.idealindustries.com.

Especificaciones:

Pantallas:	LCD de 4 dígitos con 9999 unidades para ambas pantallas con gráfico de barras analógico de 41 segmentos en la pantalla frontal
Iluminación de fondo:	Iluminación verde, con apagado automático después de 3 minutos
Polaridad:	Automática, positiva implícita, indicación de polaridad negativa (-).
Fuera de alcance:	Se indica en la pantalla "OL".
Cero:	Automático
Frecuencia de pantalla (medida):	La pantalla se actualiza 2 veces por segundo (nominal).
Apagado automático (Auto Power Off – APO):	Después de 30 minutos sin uso
Vida de la batería:	100 horas continuas, con batería alcalina
Indicación de batería descargada:	El símbolo [] aparece en la pantalla durante alrededor de una hora cuando el voltaje de la batería es insuficiente. Luego, aparece "bAtt" por 5 segundos y la unidad se apaga. La duración del indicador varía según la marca de las baterías.
Fuente de alimentación:	(1) Batería de 9 V (NEDA 1604, JIS 006P, IEC 6F22) Con compartimiento aislado para batería.
Exactitud:	Exactitud especificada a 23 °C ± 5 °C, humedad relativa < 75 %.
temperatura:	Coefficiente de 0.1 x (exactitud especificada) por °C, (0°C a 18°C, 28°C a 50°C).
Altitud:	2000 m (6561.7 pies)
Ambiente de operación:	0°C a 50°C (32°F a 122°F) a una H.R. < 70%
Ambiente de la pantalla:	-20°C a +70°C (-4°F a 158°F)
Ambiente de almacenamiento:	-20°C a 60°C (-4°F a 140°F) a una H.R. < 80% sin la batería
Abertura de la mordaza:	61-763/61-765 acepta un conductor de 36 mm (1.42") 61-773/61-775 conductor de 51 mm (2.0")
Dimensiones:	61-763/ 61-765: 222 mm [altura] x 80 mm [ancho] x 45.5 mm [prof.] (8.7" [altura] x 3.1" [ancho] x 1.8" [prof.]) 61-773/61-775: 270 mm [altura] x 103 mm [ancho] x 48.5 mm [prof.] (10.6" [altura] x 4.1" [ancho] x 1.9" [prof.])
Peso:	61-763/61-765: 350 g (12.3 onzas) con batería incluida 61-773/61-775: 500 g (1.1 lb) incluida la batería
Accesorios incluidos:	Estuche de transporte, cables de prueba con pinzas cocodrilo, (1) batería de 9 V e instrucciones de operación.
Seguridad:	Cumple las especificaciones UL61010-1 (Second Edition), IEC 61010-2-032, IEC 61010-031, EN61010-1, EN61010-2-032, EN61010-031, CAN/CSA C22.2 no. 1010.1-92 et CAN/CSA C22.2 NO. 1010.2.032-96 Cat IV-600 V/Cat III-1000 V



Alcances y exactitudes:

Convertidor de CA: Los modelos incluyen sensado de valor eficaz (rms) real.

Exactitud: La exactitud se especifica como +/- (un porcentaje de la lectura + una cantidad fija) a 23 °C ± 5 °C (73.4 °F ± 9 °F), y una humedad relativa menor que 75 %.

Coefficiente de temperatura: 0.1 veces la especificación aplicable de precisión por grado C, desde 0 °C hasta 18 °C y desde 28 °C hasta 50 °C (32 °F a 64 °F, y 82 °F a 122 °F)

De las funciones	Alcance y resolución	Exactitud		Protección de la entrada
		61-763/61-773	61-765/61-775	
Corriente de CA ¹	0.0 a 660.0A (61-763/61-765)	2.0% + 5 (45Hz a 60Hz)	2.0% + 5 (20Hz to 100Hz)	660A AC (61-763/61-765)
	0.0 a 999.9A (61-773/61-775)	6.0% + 5 (60Hz a 400Hz)	6.0% + 5 (100Hz to 400Hz)	1000A AC (61-773/61-775)
Corriente de CC	0.0 a 660.0A (61-765) 0.0 a 999.9A (61-775)	N/A	2.0% + 5	660ACDC (61-765 sólo) 1000A DC (61-775 sólo)
Voltaje de CA ^{1,2}	0.0 a 600.0V (45Hz a 100Hz)	1.0% + 5 (45Hz a 100Hz)	1.0% + 5 (20Hz to 100Hz)	1000 V CC / 750V CA ef.
	600.0 a 750.0V (45Hz a 100Hz)	1.5% + 5 (45Hz a 100Hz)	1.5% + 5 (45Hz to 100Hz)	
	0.0 a 750.0V (100Hz a 400Hz)	6.0% + 5 (100Hz a 400Hz)	6.0% + 5 (100Hz to 400Hz)	
Voltaje de CC ²	0.0-600.0V	1.0% + 5	1.0% + 5	1000 V CC / 750V AC ef.
	600.0 a 999.9V	1.5% + 5	1.5% + 5	
Resistencia ³	0.0 a 999.9Ω	1.5% + 5	1.5% + 5	600V CC/CA ef.
	1000 a 9999Ω			
Capacitancia	0.0 a 999.9μF	5.0% + 15	5.0% + 15	600V CC/CA ef.
Continuidad	0.0 a 999.9Ω	Audible a < 30 Tiempo de respuesta: 500 ms	Audible a < 30 Tiempo de respuesta: 500 ms	600V CC/CA ef.
Frequency ⁴	20.0 a 400.0 Hz	0.5% + 5	0.5% + 5	1000 V CC / 750 V CA ef.

*Exactitud especificada para factor de cresta ≤1.5 a plena escala y ≤3 a mitad de escala

¹Pico: tiempo de respuesta < 1 ms; tiene una exactitud de para ±(5% lectura + 15 dígitos) @ 45-60Hz; >10V para VAC y >10A para A AC/DC

²Impedancia de entrada: 1MΩ.

³Voltaje a circuito abierto = 1.2 V CC

⁴Sensibilidad en función de la frecuencia: ≥5 V rms en el rango de voltaje de CA

≥5 A CA a 20-100 Hz y ≥10 A CA a 100-400 Hz

☐ Aislamiento doble

El instrumento ha sido evaluado y cumple con la categoría IV de aislamiento (categoría IV de sobrevoltaje). Grado 2 de contaminación, de acuerdo con IEC-644. Uso en interiores.

Disposición final de desechos de equipos eléctricos y electrónicos



A fin de preservar, proteger y mejorar la calidad del medio ambiente, proteger la salud humana y utilizar los recursos naturales en forma prudente y racional, de acuerdo a las regulaciones legales el usuario debe devolver el producto fuera de servicio a los establecimientos correspondientes. El símbolo del cubo de residuos con ruedas tachado con una cruz indica que la disposición final del producto debe realizarse por separado y no entre los desechos municipales.

Disposición final de baterías y acumuladores usados



El usuario tiene la obligación legal de devolver las baterías y acumuladores usados. ¡Está prohibido arrojar las baterías usadas a los cubos de residuos domésticos! Las baterías y acumuladores que contienen sustancias peligrosas están marcados con el símbolo de un cubo de residuos con ruedas tachado con una cruz. Este símbolo indica que está prohibido desechar el producto como residuo doméstico. Los símbolos químicos de las sustancias peligrosas respectivas son Cd = Cadmio, Hg = Mercurio, Pb = Plomo. Puede entregar las baterías y acumuladores usados sin cargo en cualquier punto de recolección de su autoridad local, nuestras tiendas o los lugares de venta de baterías y acumuladores. De esta forma, cumple con sus obligaciones legales y contribuye a la protección ambiental.

Garantía:

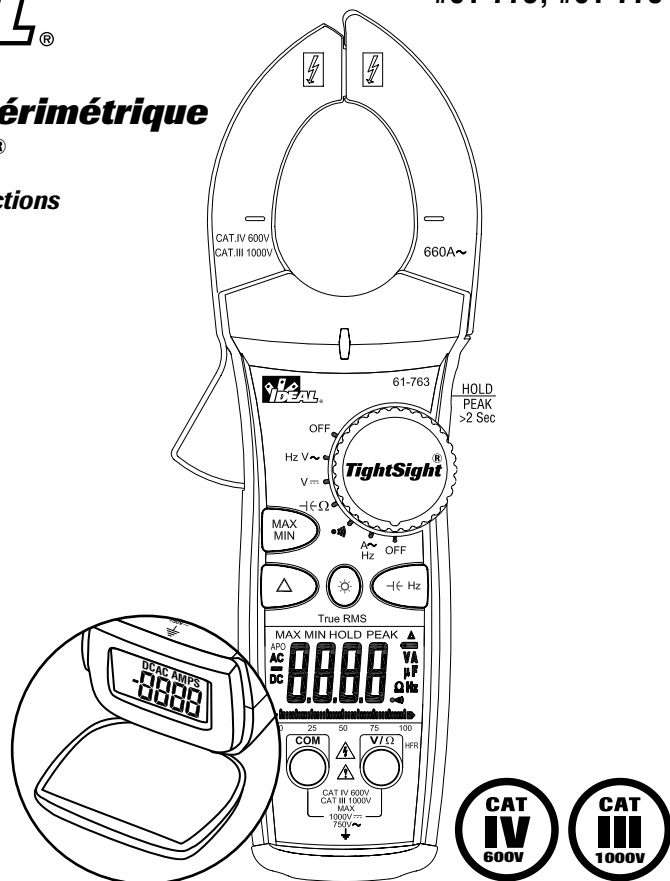
Se garantiza este instrumento al comprador original contra defectos de material o mano de obra por dos años contados a partir de la fecha de compra. Durante este período de garantía, IDEAL INDUSTRIES, INC. reemplazará o reparará la unidad defectuosa, a la sola opción de IDEAL, sujeto a la verificación del defecto o falla. Esta garantía no se aplica a defectos resultantes del mal uso, negligencia, accidente, reparación no autorizada, alteración o uso irracional de este instrumento. Todas las garantías implícitas originadas en la venta de un producto IDEAL, incluidas —pero sin limitarse a ellas— las garantías implícitas de comerciabilidad y aptitud para un propósito particular, se limitan a lo indicado anteriormente. El fabricante no es responsable legal de la pérdida del uso del instrumento u otros daños y perjuicios incidentales o consecuentes, gastos o pérdidas económicas, ni de ninguna demanda por dichos daños y perjuicios, gastos o pérdidas económicas. Las leyes estatales varían, por lo que las limitaciones o exclusiones anteriores pueden no aplicarse en su caso. Esta garantía le otorga derechos legales específicos y usted puede tener también otros derechos que varían según el estado. La garantía no cubre las baterías.



#61-763, #61-765
#61-773, #61-775

Pince ampérimétrique TightSight®

Manuel d'instructions



Affichage
TightSight®

Enregistrez votre produit et accédez à davantage d'informations sur www.idealindustries.com

! Lire en premier : Informations de sécurité

Assimiler et se conformer scrupuleusement aux instructions d'utilisation. N'utiliser le multimètre que de la façon spécifiée dans le présent manuel ; à défaut, la protection offerte par le multimètre pourra être compromise.

! AVERTISSEMENT

Pour éviter tout risque d'électrocution, de lésions personnelles ou de mort, se conformer aux directives suivantes :

- Ne pas utiliser le multimètre s'il paraît endommagé. Examiner le multimètre pour s'assurer que son boîtier et sa pince ne sont pas fissurés
- Inspectez et remplacez les cordons si leur isolation est endommagée, le métal exposé ou les sondes craquelées. Porter une attention particulière à l'isolant entourant les connecteurs.
- Afin de maintenir la classification de sécurité de ce produit, utilisez exclusivement des conducteurs d'essai classés CAT IV 600 V, CAT III 1000 V. Vous ne devez pas avoir recours à des connexions improvisées susceptibles de présenter un risque pour la sécurité.
- S'assurer toujours que le multimètre, les conducteurs d'essai et tous les accessoires correspondent ou sont supérieurs à la catégorie de mesure nécessaire dans le milieu de travail. (c.-à-d. classification CAT)
- Noter que la catégorie de mesure et la classification de tension des combinaisons des conducteurs d'essai et des accessoires est le plus bas des composants individuels.
- Ne pas utiliser le multimètre s'il fonctionne de manière anormale, la protection qu'il offre pouvant être compromise.
- Ne pas utiliser l'appareil pendant des orages ou par temps très humide.
- Ne pas utiliser l'appareil en présence de gaz, poussière, vapeur ou ampérage explosifs ou dans des milieux humides ou riches en eau.
- Ne pas soumettre à une tension ou intensité supérieure aux valeurs nominales.
- Retirer les conducteurs d'essai des prises avant de mesurer le courant.
- Remplacer la pile dès que le témoin de pile est affiché afin d'éviter les fausses lectures.
- Retirer les fils d'essai du circuit avant de retirer le capuchon de pile.
- Ne pas utiliser sans la pile ou si l'arrière du boîtier n'est pas bien monté.
- Ne pas tenter de réparer cet appareil. Il ne comporte aucune pièce réparable par l'utilisateur.
- Utiliser les bonnes bornes, fonctions et plage pour vos mesures.
- Ne jamais se mettre à la terre quand on procède à des mesures électriques.
- Connecter le conducteur commun noir à la terre ou au neutre avant d'appliquer le conducteur d'essai rouge sur la tension potentielle. Commencer par déconnecter le fil d'essai rouge de la tension.
- Placer les doigts derrière les bagues de protection de pointes de sonde.
- Maintenir l'appareil hors de portée.
- Les tensions dépassant 30 V CA ou 60 V CC peuvent présenter un risque d'électrocution, il faut donc faire preuve de prudence.

! ATTENTION

Pour vous protéger, ayez le réflexe « la sécurité d'abord ».

- Observez les codes de sécurité locaux et nationaux.
- Utiliser un équipement de protection individuelle approprié, comme lunettes de sécurité, masque facial, gants isolants, chaussures isolées, et/ou tapis isolants.
- Avant chaque utilisation :
 - Procéder à un essai de continuité et mettant les fils d'essai en contact l'un avec l'autre afin de contrôler le fonctionnement de la pile et des fils d'essai.
 - Utiliser la méthode de sécurité en 3 points. (1) Vérifier le fonctionnement du multimètre en mesurant une tension connue. (2) Appliquer le multimètre au circuit en cours de contrôle. (3) Retourner à la tension active connue pour vérifier le bon fonctionnement.
- Travailler toujours avec un équipier.

Caractéristiques communes

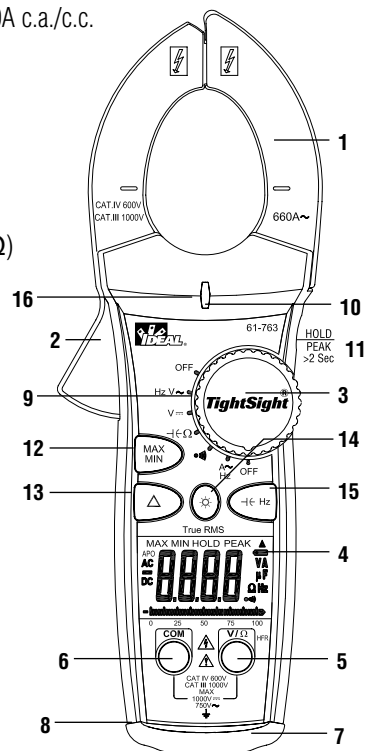
- Grand affichage de chiffres et de symboles
- Affichage inférieur TightSight™
- Témoin de décharge de pile visuel et sonore sélectionnable en présence de tension
- Mesure la tension c.a./c.c. et la résistance et la capacité
- Continuité audible
- Rétroéclairage lumineux et clair
- Crête, maxi/mini, maintien de données
- Coupure automatique et témoin de décharge de pile sélectionnables
- Mâchoires effilées permettant de travailler dans des espaces restreints
- Bout en forme de crochet pour une séparation plus facile des fils
- Gaine caoutchoutée de protection
- Protection électronique contre la surcharge sur toutes les plages
- Cat IV-600 V/Cat III-1000 V
- Les deux modèles utilisent un circuit de rejet de haute fréquence qui filtre le bruit et permet de réaliser des mesures précises sur des formes d'onde complexes comme celles des variateurs de vitesse.

Caractéristiques particulières du modèle :

- 61-763: 660A c.a. • 61-773: 1000A c.a.
- 61-765: 660A c.a./c.c. • 61-775: 1000A c.a./c.c.

Caractéristiques

1. Mâchoires effilées avec bout crochet
2. Levier
3. Cadran des fonctions
4. Affichage principal (cristaux liquides)
5. Terminal d'entrée tension et résistance (V-Ω)
6. Terminal d'entrée commun (COM)
7. Affichage inférieur TightSight®
8. Gaine caoutchoutée de protection
9. Fonctions de mesure
10. Avertissement de haute tension (Hi-V)
11. Rétention de données et crête
12. Maxi/mini
13. Relatif (61-763, 61-773)
Relatif/Zéro (61-765, 61-775)
14. Rétroéclairage
15. Capacité (⌚) / Fréquence (Hz)
16. Hors de portée



27

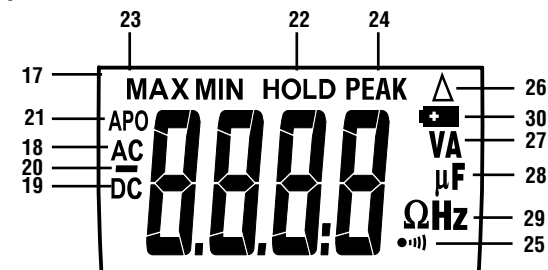
Symboles figurant sur l'appareil

	Risque de danger : Renseignements importants. Voir manuel.
	Tension dangereuse. Risque d'électrocution.
	L'application autour et le retrait des conducteurs sous tension dangereux sont permis.
	CA (courant alternatif)
	CC (courant continu)
	Terre
CAT II	La catégorie de mesure II s'applique à l'essai et à la mesure de circuits connectés directement aux points d'utilisation (prises et points semblables) d'installation de secteur à basse tension.
CAT III	La catégorie de mesure III s'applique à la mesure de circuits connectés à la partie distribution de l'installation de secteur à basse tension du bâtiment.
CAT IV	La catégorie de mesure IV s'applique à l'essai et à la mesure de circuits connectés à la source de l'installation de secteur à basse tension de l'édifice.

Icône de l'affichage principal

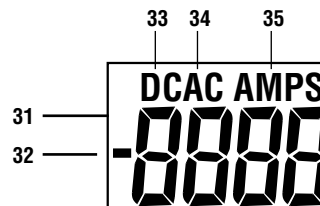
17. Affichage jusqu'à 9999
18. Mesure de c.a.
19. Mesure de c.c.
20. Témoin de polarité pour c.c.
21. Arrêt automatique de l'alimentation (APO)
22. Rétention
23. Mini/Maxi
24. Crête
25. Continuité audible
26. Relatif
27. Volts/Ampères
28. Farads
29. Hertz/Ohms
30. Témoin de décharge de la pile

Main Display



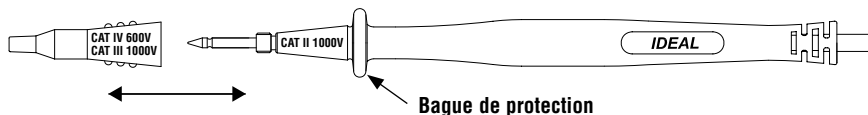
Icônes de l'affichage TightSight®

31. Affichage jusqu'à 9999
32. Témoin de polarité pour c.c.
33. Mesure de c.c.
34. Mesure de c.a.
35. Ampères



28

Conducteurs d'essai



FONCTIONNEMENT :

Avertissement de haute tension (HI-V)

L'appareil émet un bip sonore et une DEL s'allume quand on mesure > 30 V c.a. sur la fonction V c.a. et > 30 V c.c sur la fonction V c.c. Remarques : Cette fonction n'est pas disponible sur les modes ohm, condensateur, continuité ou pince. L'indication sonore peut être invalidée en maintenant le bouton Max/min tout en tournant le commutateur de fonction de la position OFF à toute fonction désirée. Attendre que **Hb** soit affiché pour relâcher le bouton. Pour valider, éteindre l'appareil et le remettre en marche.

Fonction de rétention des données

Appuyer sur le bouton Hold (rétention) situé sur le côté du multimètre pour basculer dans et hors du mode de rétention des données. « HOLD » est affiché dans le coin supérieur gauche de l'affichage du multimètre quand la fonction de rétention des données est active. Utiliser la fonction de rétention des données pour verrouiller une lecture de mesure sur l'affichage. Appuyer à nouveau sur le bouton Hold (Rétention) pour déverrouiller l'affichage pour obtenir une lecture en temps réel.

Fonction crête

Sur le mode CRÊTE, l'appareil affichait la valeur CRÊTE de volts c.a. ou la mesure de courant. La fonction CRÊTE est validée en appuyant sur le bouton PEAK HOLD (Rétention de crête) pendant plus de 2 s. Pour quitter le mode CRÊTE appuyer sur PEAK HOLD à nouveau pendant plus de 2 s.

Fonction Maxi/mini

Le Max/Min enregistre les valeurs maximales et minimales mesurées. Appuyer sur le bouton Max/Min pour activer cette fonction et basculer entre les lectures maxi et mini. L'appareil capturera continuellement les valeurs mini et maxi dans le temps. On quitte ce mode en appuyant sur le bouton max/min pendant plus de 2 s. Remarque : Pour enregistrer les valeurs maxi/mini sur une période de plus de 30 mn, il faut invalider la fonction d'arrêt automatique (APO).

Mode relatif

Appuyer sur le bouton "Δ" pour passer sur le mode Relatif. Le symbole "Δ" est affiché et la valeur de l'affichage est soustraite et enregistrée en guise de valeur de référence. Sur le mode Relatif, la valeur affichée est toujours la différence entre la valeur de référence enregistrée et la valeur actuelle. Appuyer à nouveau sur le bouton "Δ" pendant > 2 secondes pour quitter le Mode Relatif.


Fonction Zéro (modèles 61-765, 61-775 seulement)

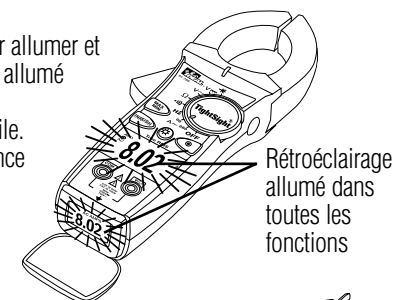
Le bouton « ZÉRO » permet de mettre l'affichage à zéro avant de mesurer le courant continu. Appuyer sur le bouton « ZÉRO » pour soustraire le nombre non-zéro. Puis, mesurer les ampères de courant continu. Le fait d'appuyer à nouveau sur le bouton « ZÉRO » fait clignoter le « ZÉRO » et affiche le décalage original. Appuyer plus de 2 s sur le bouton « ZÉRO » pour quitter ce mode.

Invalidation de la fonction Arrêt automatique de l'alimentation (APO)

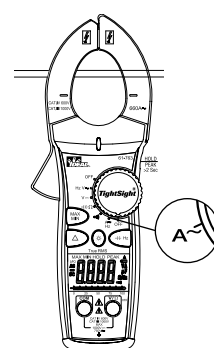
Ce multimètre s'éteint automatiquement au bout de 30 minutes s'il n'est pas utilisé. Appuyer sur n'importe quel bouton, le multimètre s'allume automatiquement et affiche la dernière lecture relevée. Pour invalider l'APO maintenir le bouton (H/Hz) enfoncé tout en tournant le cadran sur la position désirée. Quand APO est neutralisé, « APO » disparaît de l'affichage. Quand on éteint puis rallume le multimètre, on restaure l'APO (coupure automatique) implicite.

Rétroéclairage

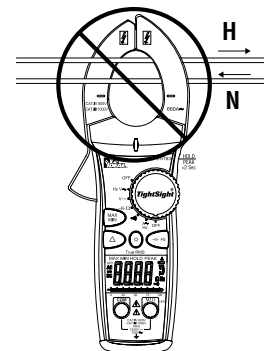
Appuyer sur le bouton  au milieu de l'appareil pour allumer et éteindre le rétroéclairage. Le rétroéclairage demeurera allumé pendant environ 3 minutes avant de s'éteindre automatiquement pour conserver la puissance de la pile. Remarque : Le rétroéclairage consomme 4x la puissance de la pile.



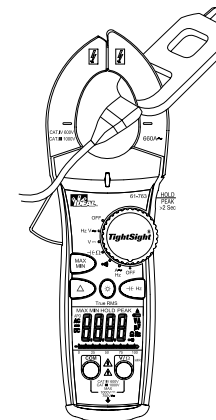
Mesure du courant C.A. (Ampères) :



CORRECT
Conducteur
unique
seulement



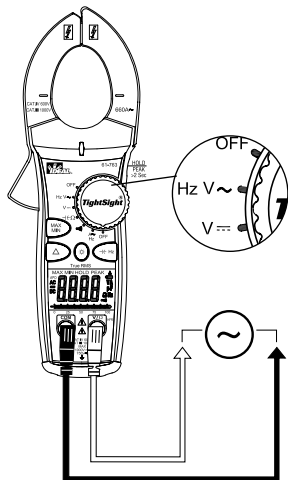
INCORRECT
Les courants
s'annulent



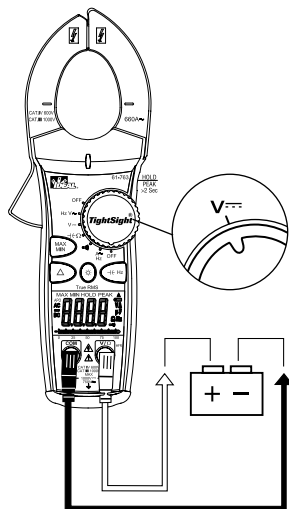
CORRECT
Utilisation
avec réparti-
tion de ligne

Remarque : Le modèle 61-765 mesure aussi le courant continu.

Mesure de la tension :



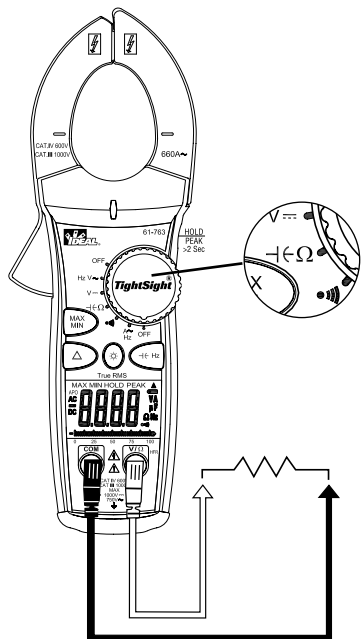
Tension c. a.



Tension c. c.

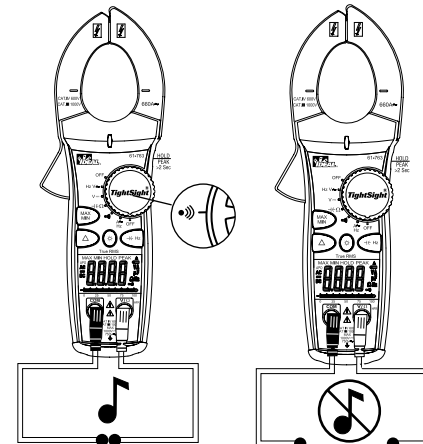
Mesure de la résistance (Ohms) :

- Vérifier que le circuit est désactivé pour obtenir des mesures précises.



Vérification de la continuité (••••) :

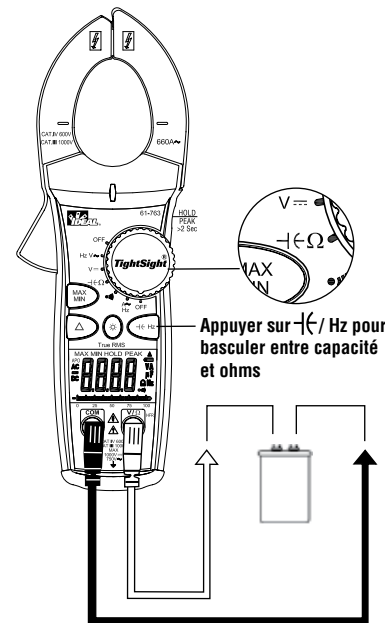
- Vérifier que le circuit est désactivé.
- Le multimètre détectera le niveau de résistance et émettra un signal sonore si la résistance est inférieure à 30 Ω pour confirmer la présence d'une continuité.



Circuit fermé

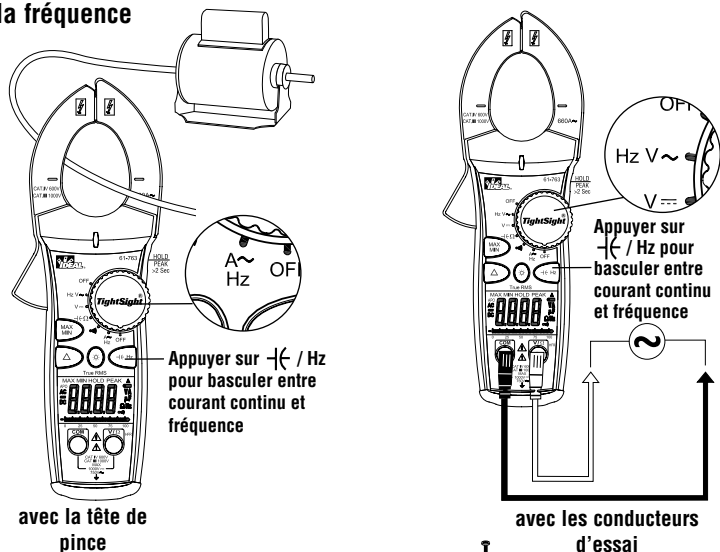
Circuit ouvert

Mesure de la capacité



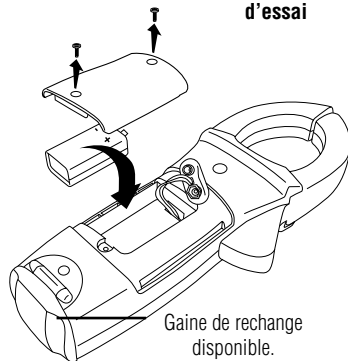
Appuyer sur Ω/Hz pour basculer entre capacité et ohms

Mesure de la fréquence



Remplacement de la pile :

- S'assurer que les fils d'essai sont déconnectés du circuit ou des composants.
- Retirer les fils d'essai des prises d'entrée du multimètre.
- Retirer les deux vis du capuchon de piles.
- Retirer le capuchon de piles.
- Remplacer la pile par une pile neuve de 9 V.
- Monter le capuchon des piles sur le multimètre et resserrer les vis.



Entretien : Éteignez et déconnectez complètement l'instrument avant de procéder à toute intervention d'entretien. Nettoyez le boîtier avec un chiffon humide et un détergent doux. N'utilisez pas d'abrasifs ou de solvants. Tenez à l'écart des liquides et assurez-vous que l'appareil est complètement sec avant de l'utiliser.

Entretien-dépannage et pièces de rechange :

Cet appareil ne comporte pas de pièces réparables par l'utilisateur. En ce qui concerne les pièces de rechange ou les renseignements concernant l'entretien-dépannage, se mettre en rapport avec IDEAL INDUSTRIES, INC. Au 1-877-201-9005 ou visitez notre site web www.idealindustries.com.

Spécifications :

AFFICHE :

4 chiffres avec cristaux liquides jusqu'à 9999 pour les deux affichages avec graphique à barres analogique de 41 segments sur l'affichage avant.

Rétroéclairage :

Illumination verte avec arrêt automatique au bout de 3 minutes

Polarité :

Indication de polarité automatique, positif implicite, négatif (-).

Dépassement :

L'indication « OL » est affichée.

Zéro :

Automatique

Fréquence d'affichage (Mesure) :

Affichage mis à jour 2 fois par seconde, nominal.


Arrêt automatique :

Au bout de 30 minutes de non-utilisation.

Durée de service de la pile :

100 heures d'utilisation en continu avec une pile alcaline

Témoin de décharge de piles :

Le symbole () s'affiche pendant une heure environ en présence d'une tension insuffisante. "bAtt" s'affiche ensuite pendant 5 secondes puis l'appareil s'éteint. La durée de l'indication varie en fonction de la marque de la pile.

Alimentation :

(1) pile de 9 V (NEDA1604, JIS 006P, IEC 6F22)

Précision :

Comprend un logement de pile isolé.

Température :

Précision nominale à 23°C ±%5°C, < 75 % H.R.

Coefficient :

0,1 x (précision spécifiée) par °C,

Altitude :

0°C à 18°C (28°C à 50°C)

Environnement de fonctionnement :

6561,7 pi (2000 m)

Environnement d'affichage :

0°C C à 50,00°C (0,00°C à 50°C) à < 70% d'H.R.

Environnement de stockage :

-4°F à 158°F (-20°C à +70°C)

Ouverture de la mâchoire :

-4°F à 140°F (-20°C à 60°C) à < 80 % d'H.R. sans pile

Dimensions :

61-763/61-765 accepte un fil de 1,42 po (36mm)

Poids :

61-773/61-775 conducteur de 51 mm (2,0 po)

Accessoires fournis :

61-763/61-765: 222 x 80 x 45,5 mm (8,7 po H x 3,1 po L x 1,8 po l)

Sécurité :

61-773/61-775: 270 x 103 x 48,5 mm (10,6 po H x 4,1 po L x 1,9 po l)

61-763/61-765: 350 g (12,3 oz) pile y compris

61-773/61-775: 1,1 lbs. (500 g) avec la pile.

Etui de transport, fils d'essai avec pince crocodile (1) pile de 9 V, mode d'emploi.

Conforme avec les caractéristiques techniques de : UL61010-1 (Second Edition), IEC 61010-2-032, IEC 61010-031, EN61010-1, EN61010-2-032, EN61010-031, CAN/CSA C22.2 no. 1010.1-92 et CAN/CSA C22.2 NO. 1010.2.032-96 Cat IV-600 V/Cat III-1000 V



Plages et précisions :

Convertisseur c.a. : Les modèles assurent une détection avec valeurs efficaces réelles.

Précision : La précision est spécifiée sous la forme d'un +/- (pourcentage de la lecture + une quantité fixe) à 23°C±5°C (73,4°F ± 9°F), moins de 75 % d'humidité relative.

Coefficient de température : 0,1 fois la spécification de précision applicable par degré C de 0°C à 18°C et 28°C à 50°C (32°F à 64°F et 82°F à 122°F)

Fonction	Plage et résolution	Précision		Protection d'entrée
		61-763/61-773	61-765/61-775	
Intensité c.a. ¹	0,0 à 660,0A (61-763/61-765)	2.0% + 5 (45Hz à 60Hz)	2.0% + 5 (20Hz à 100Hz)	660A c.a. (61-763/61-765) 1000A c.a. (61-773/61-775)
	0,0 to 999,9A (61-773/61-775)	6.0% + 5 (60Hz à 400Hz)	6.0% + 5 (100Hz à 400Hz)	
Intensité c.c.	0,0 à 660,0A (61-765) 0,0 to 999,9A (61-775)	S/O	2.0% + 5	660A c.c. (61-765 only) 1000A c.c. (61-775 only)
Tension c.a. ^{1,2}	0,0 à 600,0V	1.0% + 5 (45Hz à 100Hz)	1.0% + 5 (20Hz à 100Hz)	1000VDC / 750V AC en valeur efficaces réelles
	600,0 à 750,0V	1.5% + 5 (45Hz à 100Hz)	1.5% + 5 (45Hz à 100Hz)	
	0,0 à 750,0V	6.0% + 5 (100Hz à 400Hz)	6.0% + 5 (100Hz à 400Hz)	
Tension c.c. ²	0,0-600,0V	1.0% + 5	1.0% + 5	1000VDC / 750V AC en valeur efficaces réelles
	600,0 à 999,9V	1.5% + 5	1.5% + 5	
Résistance ³	0,0 à 999,9Ω	1.5% + 5	1.5% + 5	600 V c.c./c.a. en valeur efficaces réelles
	1000 à 9999Ω			
Capacité	0,0 à 999,9μF	5.0% + 15	5.0% + 15	600 V c.c./c.a. en valeur efficaces réelles
Continuité	0,0 à 999,9Ω	Audible à < 30 Délai de réaction 500 ms	Audible à < 30 Délai de réaction 500 ms	600 V c.c./c.a. en valeurs efficaces réelles
Fréquence ⁴	20,0 à 400,0 Hz	0.5% + 5	0.5% + 5	1000 V c.c. / 750 V c.a. en valeur efficaces réelles

*Précision énoncée pour facteur de crête ≥ 1,5 à pleine échelle et ≥ 3 à demi-échelle.

¹CRÊTE temps de réponse <1 ms; une précision de ±(5% lect + 15 chiffres) @ 45 à 65 Hz; >10 V pour V c.a. et >10 A c.a./c.c.

²Impédance d'entrée : 1 MΩ.

³Tension de circuit ouvert 1,2 V c.c.

⁴Sensibilité de fréquence: ≥5 V en valeur efficace sur une plage de puissance c.a. ≥5 A c.a. de 20 à 100 Hz et ≥10 A c.a. de 100 à 400 Hz

☐ Double isolation

L'appareil a été évalué et il est conforme à la catégorie d'isolation IV (catégorie de surtension IV). Degré 2 de pollution en conformité avec IEC-644. Utilisation à l'intérieur.

Mise au rebut des déchets électriques et du matériel électronique



Afin de préserver, protéger et améliorer la qualité de l'environnement, de protéger la santé humaine et d'utiliser les ressources naturelles prudemment et rationnellement, l'utilisateur doit retourner les produits non réparables aux installations pertinentes, conformément aux règlements. Les poubelles à roues barrées indiquent que le produit doit être évacué séparément et non avec les ordures municipales.

Evacuation des piles/accumulateurs usés !



La loi oblige l'utilisateur à retourner les piles et accumulateurs usés. Évacuer les piles avec les ordures ménagères est interdit ! Les piles/accumulateurs contenant des substances dangereuses sont marquées d'une poubelle à roulettes barrée. Ce symbole indique qu'il est interdit d'évacuer le produit avec les ordures ménagères. Les symboles chimiques des substances dangereuses respectives sont **Cd** = Cadmium, **Hg** = Mercure, **Pb** = Plomb. Vous pouvez retourner les piles/accumulateurs usées à titre gratuit à tout point de collecte ou à l'autorité locale, nos magasins ou partout où les batteries et piles sont vendues. Vous vous conformerez ainsi à vos obligations juridiques et vous contribuerez à la protection de l'environnement.



Déclaration de garantie :

Ce testeur est garanti à l'acheteur primitif contre tout vice de matière ou de façon pendant deux ans à compter de la date d'achat. Durant cette période de garantie IDEAL INDUSTRIES, INC., à son choix, remplacera ou réparera l'unité défectueuse, suite à la vérification du défaut ou du dysfonctionnement. Cette garantie ne s'applique pas aux défauts résultant d'abus, négligence, accident, réparation non autorisée, altération ou utilisation non raisonnable de l'instrument. Toutes les garanties implicites résultant de la vente d'un produit IDEAL, incluant sans y être limitées les garanties implicites de valeur marchande et d'adaptation à une fin particulière, sont limitées aux conditions ci-dessus. Le fabricant ne sera pas tenu pour responsable de la perte d'usage de l'instrument, ni d'autres dommages accessoires ou indirects, dépenses ou préjudice financier, ou de toute(s) réclamation(s) pour de tels dommages, dépenses ou préjudices. Les lois des provinces varient, donc les limitations et exclusions précédentes peuvent ne pas s'appliquer dans votre cas. Cette garantie vous donne des droits légaux spécifiques, et vous pouvez aussi avoir d'autres droits qui varient d'une province à l'autre. La garantie ne couvre pas les piles.

IDEAL INDUSTRIES, INC.

Sycamore, IL 60178 Estados Unidos de América

Technical Hotline / Línea de asistencia técnica / Télé-assistance technique: 877- 201-9005

www.testersandmeters.com

ND 7455-3

Made in Taiwan / Fabricado en Taiwán / Fabriqué à Taïwan