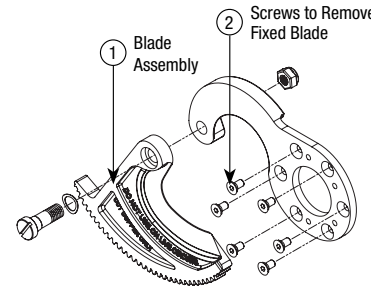




**FASTER, TOUGHER, AND MORE DURABLE.
STAY A CUT ABOVE.**

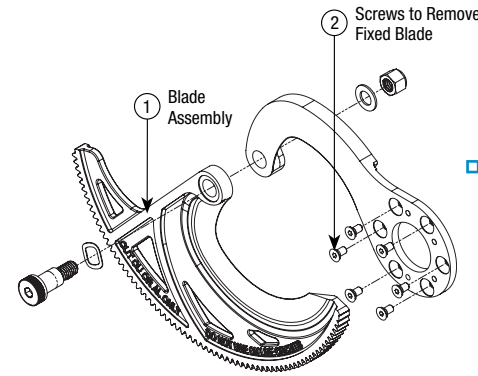


REPLACEMENT BLADES, GEAR BOX & PARTS



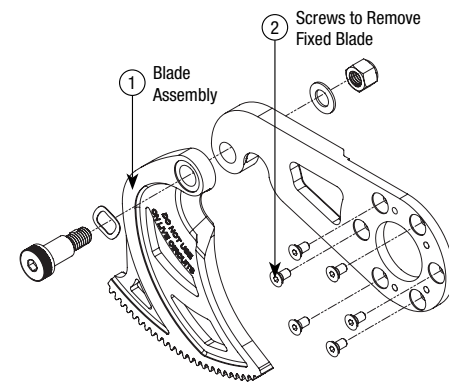
POWERBLADE 750 CABLE CUTTER 35-078

| ITEM NO. | PART NO. | DESCRIPTION | QTY. |
|----------|----------|-----------------------------|------|
| 1 | K-8906R | Blade Pair Assembly | 1 |
| 12 | 113.190 | 10-32 x .375 FHMS Hex Screw | 6 |



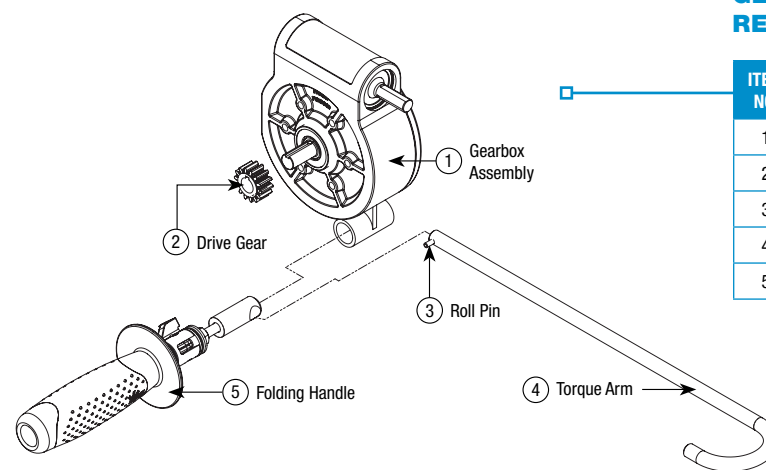
BIG KAHUNA CABLE CUTTER 35-076

| ITEM NO. | PART NO. | DESCRIPTION | QTY. |
|----------|----------|-----------------------------|------|
| 1 | KB-0276R | Blade Pair Assembly | 1 |
| 2 | 113.190 | 10-32 x .375 FHMS Hex Screw | 6 |



MERLIN ACSR CABLE CUTTER 35-077

| ITEM NO. | PART NO. | DESCRIPTION | QTY. |
|----------|----------|-----------------------------|------|
| 1 | KB-0278R | Blade Pair Assembly | 1 |
| 2 | 113.190 | 10-32 x .375 FHMS Hex Screw | 6 |



GEAR BOX ASSEMBLY AND REPLACEMENT PARTS

| ITEM NO. | PART NO. | DESCRIPTION | QTY. |
|----------|----------|--------------------------|------|
| 1 | H-3400 | Gearbox Assembly | 1 |
| 2 | KB-0456 | Drive Gear | 1 |
| 3 | 281.106 | .125 Dia x .625 Roll Pin | 1 |
| 4 | K-8933 | Torque Arm | 1 |
| 5 | H-3507 | Folding Handle | 1 |

IDEAL INDUSTRIES, INC.

Becker Place, Sycamore, IL 60178, USA / 815-895-5181 • 800-435-0705 in USA

International offices:

Australia • Brazil • Canada • China • Germany • Mexico • UK

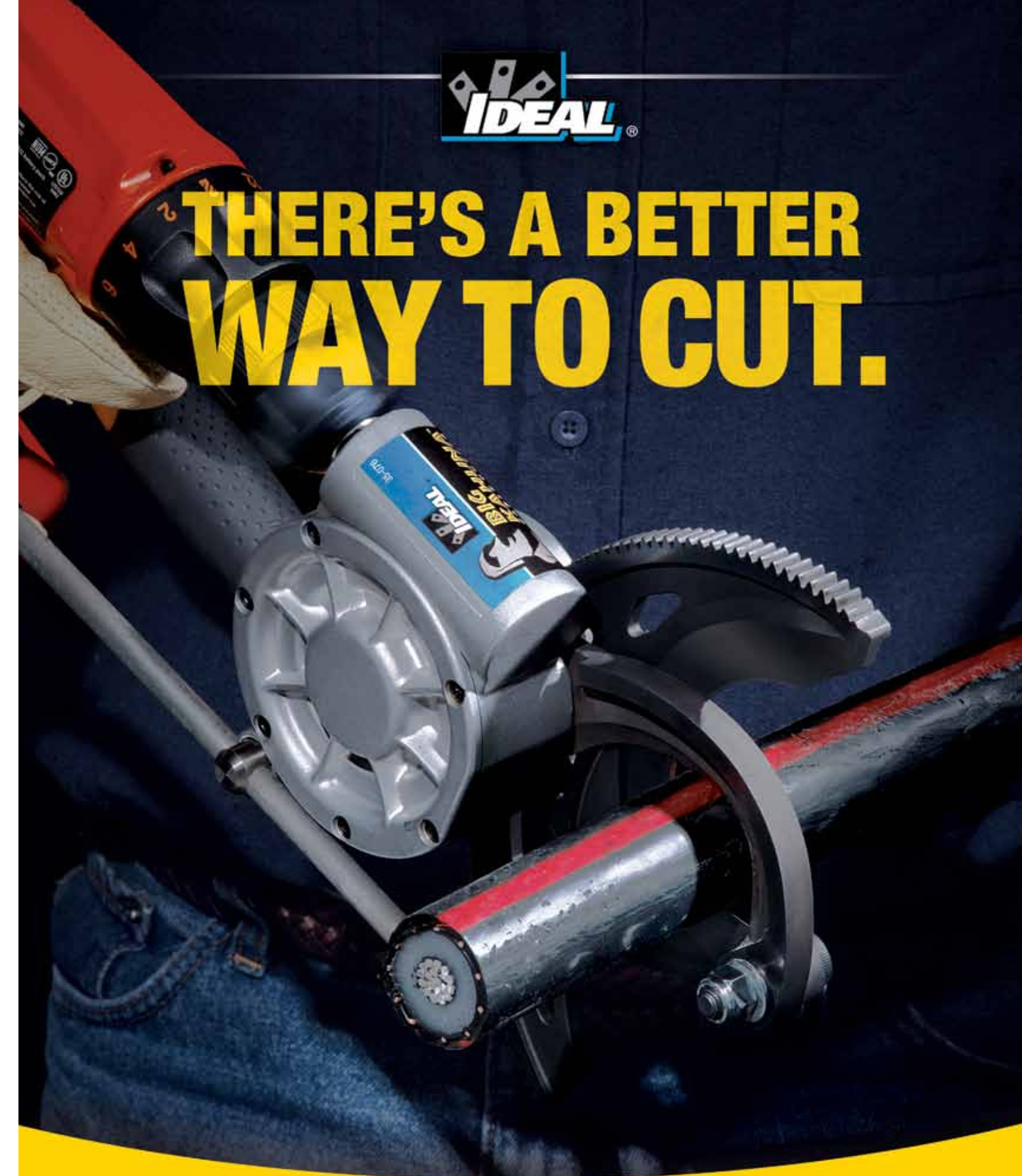
For complete sales office contact information, visit us at:
www.idealindustries.com

Form No. P-2522
©2013 IDEAL INDUSTRIES, INC.

10/13 Printed in U.S.A.



**THERE'S A BETTER
WAY TO CUT.**



POWERFUL FAST DURABLE EASY-TO-USE



BIG ENOUGH FOR ANY JOB.

The new series of IDEAL PowerBlade™ Cable Cutters are designed to cut cables quickly and efficiently. With adjustable torque arms, heavy-duty gears, and proprietary hardened steel blades, they deliver unsurpassed performance, ease-of-use, and durability. Compatible with any 12 volt or higher drill so that cutting is as effortless as pulling the drill's trigger. The PowerBlade™ Cable Cutter's unique compact design is the perfect tool for fitting into tight spaces. They also feature ergonomically designed, non-slip grips – helping you cut cable easily and safely.

Try one and you'll never use anything else again!

IDEAL POWERBLADE™ CABLE CUTTERS

PowerBlade™ Cable Cutters make easy work of cutting small to large diameter cables, resulting in clean, installation-ready cuts.



IDEAL Cable Geometry

VS



“Football” Distortion

MANUAL, RATCHETING OR BATTERY POWERED CABLE CUTTERS

THE COMPETITIVE EDGE.

- Superior hardened steel blades ensure precision with every cut
- Contoured blade design minimizes cable distortion
- Adjustable torque arm firmly holds drill in place
- Exceptionally rugged gears and metal housing
- Maintenance-free gearbox
- Protective shield
- Ergonomically designed, textured grip
- Folding handle – fits in Tight Spaces! Cuts cable without looping or ratcheting

Designed to last for thousands of cuts!



“The IDEAL PowerBlade™ 750 has been an exceptional value. The speed and ease at which it cuts conductors is amazing! The time savings on one job alone more than pays for this tool.”

KELVIN WORKMAN, KEARNEY ELECTRIC, INC., PHOENIX, AZ

PowerBlade™ 750 CABLE CUTTER

35-078



- Extremely versatile and designed for multiple applications
- Jaw opening of 1½"
- Cuts copper cable up to 750MCM and aluminum cable up to 1000MCM
- Specially hardened, rounded blades minimize cable distortion for professional quality every time

**CUTS COPPER UP TO 750MCM
CUTS ALUMINUM UP TO 1000MCM**

1½" MAX JAW OPENING



BIG KAHUNA™ CABLE CUTTER

35-076



- Rock Solid power blade designed for heavy duty applications involving large diameter cable
- Up to 3½" Jaw Opening. Cuts through most large-diameter cable
- Leaves a clean, installation-ready cut each time, every time
- Superior blade durability, Cuts copper and aluminum up to 1250 MCM!

CUTS COPPER AND ALUMINUM UP TO 1250MCM

3½" MAX JAW OPENING



Merlin™ ACSR CUTTER

35-077



- Especially designed for applications involving stainless steel reinforced aluminum cable
- Jaw opening of ¾" for precision and accuracy
- Cuts up to ¾" Merlin ACSR

CUTS ACSR CABLE UP TO ¾"

¾" MAX JAW OPENING

