



30-682, 30-682M,
30-682F, 30-682L,
30-683

PowerPlug™ Luminaire Disconnect - Models 182 & 183

Installation Instructions:

WARNING		
	<p>Electrical Shock Hazard. Contact with high voltage may cause falling, serious injury, or death. Disconnect power before servicing.</p>	
	<p>Electrical Fire Hazard. Use in application exceeding voltage and current ratings listed can cause an electrical fire resulting in serious injury or death. Only use in accordance with Tables 1, 2 and 3, and local electrical wiring code.</p>	

Instructions:

Conductor installation:

1. Wiring must comply with all applicable electrical codes.
2. Turn off power before removing or installing disconnect.
3. Strip wires to 3/8 inch (9,5 mm).
4. Grip black ballast wire firmly and push conductor into port marked with black "B".
5. Grip white ballast wire firmly and push conductor into port adjacent to black ballast wire on Model 182 or the unmarked port on Model 183.
Skip steps 6 - 8 for 30-682L
6. Grip black supply wire firmly and push into port marked with black "LINE".
7. Grip white supply wire firmly and push into port adjacent to black supply wire on Model 182 or the unmarked port on Model 183.
8. For three wire ballasts using Model 183, repeat above instructions for third set of wires on the port marked with "dashed line."
9. Use only one conductor per port and *assure that no copper is exposed on any of the wires inserted.*
10. See disconnect de-mate/mate installation instructions on this page when replacing ballasts.
11. The wire insertion side of this product is listed for ONE TIME USE ONLY. DO NOT REMOVE AND REPLACE WIRES.

TABLE 1: Voltage/Current Maximum:

Voltage (V)	Current (A)
600	3

TABLE 2: Wire Size & Type

Wire Type	Wire Size
Solid and Tin Bonded	18 AWG
Copper to copper connections only. Do not use on Aluminum.	

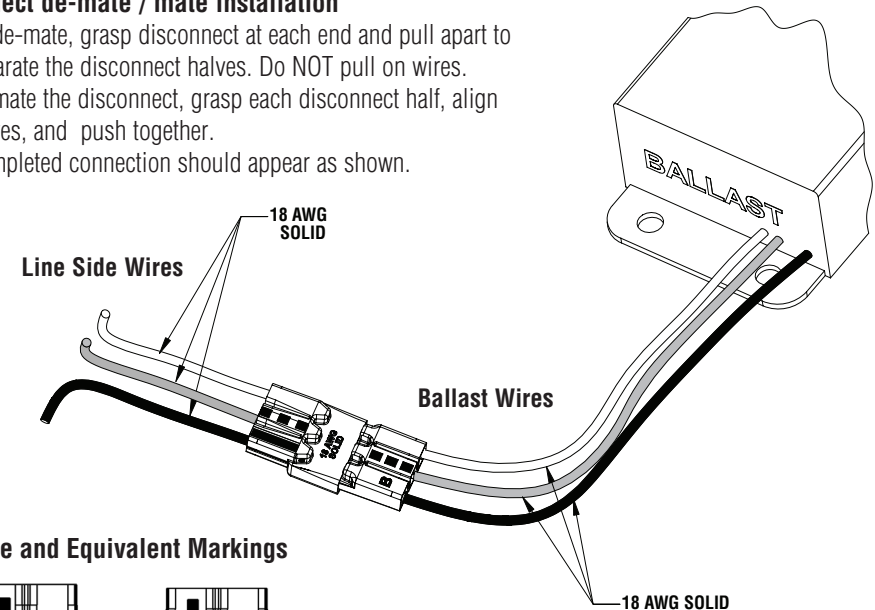
TABLE 3: Environmental Conditions

Environmental Conditions	Rating
Temperature Rating	105°C (221°F)
Flame Rating	UL94-0

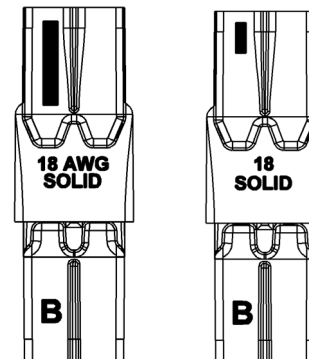
Rated for a limited number of current-interrupting operations.

Disconnect de-mate / mate installation

1. To de-mate, grasp disconnect at each end and pull apart to separate the disconnect halves. Do NOT pull on wires.
2. To mate the disconnect, grasp each disconnect half, align halves, and push together.
3. Completed connection should appear as shown.



Alternate and Equivalent Markings



IDEAL INDUSTRIES, INC.

1375 Park Avenue Place • Sycamore, IL 60178, U.S.A.
800-435-0705 Customer Assistance • www.idealind.com
ND 6291-9