



Pow-R-Master II Pneumatic Wire Stripper

Instruction Manual

The Pneumatic Wire Stripper is used for hand-held stripping of most insulated wire from 16-30 AWG. The tool accommodates Custom Stripmaster® and Custom Steel Stripmaster® industry standard blades and pads made by IDEAL.

The wire stripper features a 360° rotatable head section that enables positioning of the head to the most comfortable position for left- or right-handed operators.

To Operate:



WARNING

DO NOT USE ON LIVE CIRCUITS. Contact with electricity can cause serious injury or death. Shut off power at the circuit breaker or remove use before using this product.

1. Connect air hose to a clean, dry air supply between 80 and 120 psi (5.4 - 8.2 bar).
2. Hold the stripper in the hand which will be used for operation of the tool and position the control lever where it feels most comfortable for operation. With the locking screw loosened, rotate the stripping head until it is positioned in a proper location for easy viewing and placement of the wire to be stripped. Tighten the locking screw (see Figure 1).
NOTE: It will be easier to rotate the head with the air supply disconnected or with the tool in the activated position.

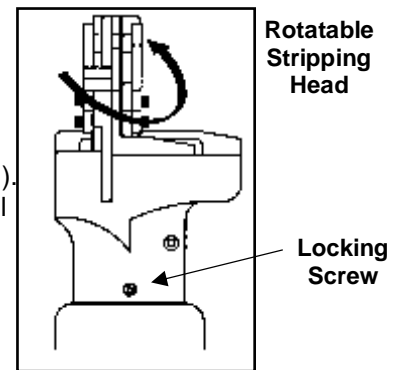


Figure 1

To Service (Qualified personnel only):

Following is the procedure for changing the stripping blades and pads. Be sure the proper blades and pads are used for the type of insulation being stripped.

Gripper Pads

1. Disconnect the unit from the air supply.
2. Remove the two screws holding the gripper pads in place.
3. Remove the stationary gripper (Figure 2A).
4. Remove the movable gripper by rotating the gripper so the tang comes clear of the activating link (Figure 2B).
5. Replace new gripper by reversing the above steps. Do not overtighten the holding screws.
6. Reconnect the air supply and activate the tool. If the movable gripper does not completely close the stationary pad, loosen the two screws, realign and close completely. Retighten with two pads touching.

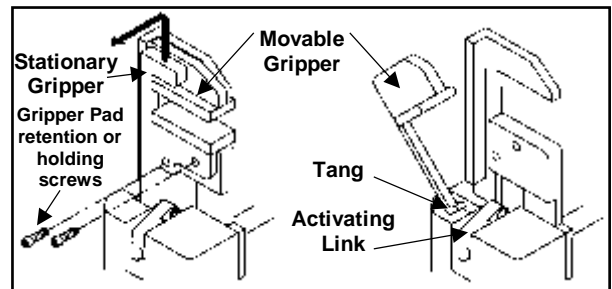


Figure 2A

Figure 2B

Stripper Blades

1. Depress the control lever and with the carrier extended, disconnect the unit from the air supply.
2. Remove the two screws (or nuts) and washers holding the blades in place.
3. Remove the guide plate and the stationary blade.
4. Rotate the movable blade so the tang comes clear of the activating link, then remove (see Figure 3).
5. Reassemble the replacement blades in the reverse order.
6. Replace the washers and screws (or nuts) holding the blades in place. DO NOT OVERTIGHTEN.
7. Reconnect the air supply and activate the tool. If the movable blade does not align properly, loosen the screws and realign to close completely. Retighten the screws (or nuts).

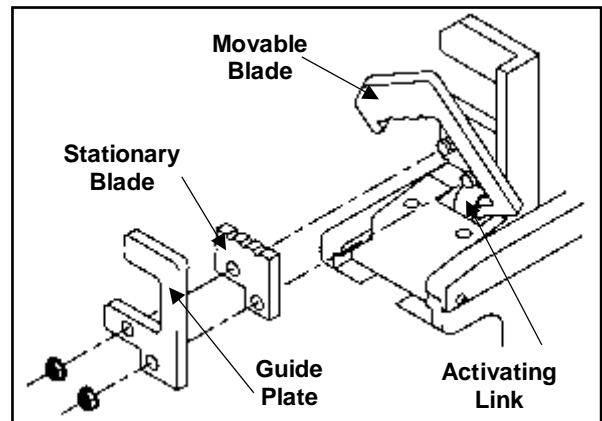
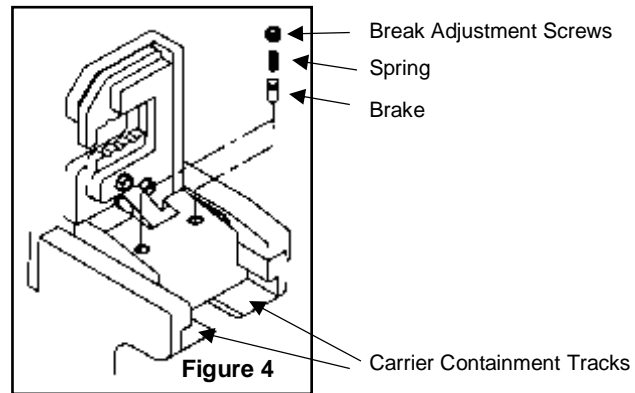


Figure 3

Carrier Brake Replacement/Adjustment

The carrier contains two brakes which cause the holding pads and stripping dies to close before the carrier advances and strips the wire. They then delay the carrier from returning until the pads and dies are open. When this sequence does not occur properly, the carrier brakes may have worn sufficiently to require replacement or adjustment. NOTE: These brakes have been properly adjusted at the factory.



To replace brakes, remove the two screws (see Figure 4). Remove two springs and the worn brakes, install new brakes, springs and brake replacement screws. Turn screws until screw cap is flush with top of carrier. Actuate tool and visually determine if the sequence is satisfactory. If further adjustment is required, tighten screws 1/4 of a turn for each adjustment until desired effect is achieved.

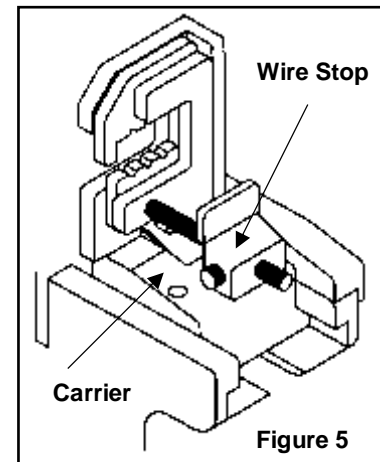
Lubrication

Periodic lubrication of the carrier in the containment tracks will ensure smooth operation. Use a teflon or molybdenum grease (or silicone spray lubricant) sparingly, once every 10,000 cycles.

Mounting a Wire Stop Option

The transparent adjustable wire stop can be mounted as follows:

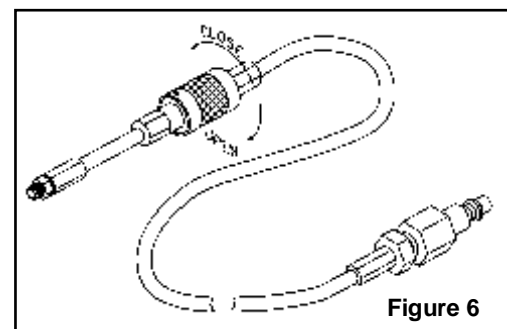
1. Remove the screw (or nut) farthest from the upright of the carrier.
2. Install the knurled standoff. Use the supplied threaded stud, if required, and tighten with a screwdriver.
3. Slip the plastic wire stop over the standoff and tighten in place to the selected stripping length (see Figure 5).



Air Hose with Flow Control Valve

An in-line Flow Control Valve allows the user to adjust the speed of the stripping action of the Wire Stripper. The strip speed may be adjusted as follows (see Figure 6).

1. Connect the Wire Stripper to a clean and dry air supply with pressure between 80-120 psi (5.4-8.2 bar).
2. Rotate the knurled body of the valve clockwise (looking at the bottom of the Wire Stripper) until it is hand tight and fully closed.
3. Activating the control lever will result in no operation or extremely slow operation of the tool. Rotate the Flow Control Valve body slowly counterclockwise, activating the control lever at the same time, until the preferred speed of operation is reached.
4. Full flow operation will be achieved in approximately one half turn.



Warranty

Each unit is warranted to be free from defects in materials and workmanship under normal use and service for a period of 12 months after the date of purchase. The obligations of IDEAL under this warranty shall be limited to repairing at the Sycamore, Illinois manufacturing facility. Any unit which shall, within the 12 month period, be returned to us with the transportation charges prepaid, and with our examination shall disclose to our satisfaction to have been defective. This warranty shall not apply to any model which has been altered or repaired outside the factory in any way so as to affect its operation nor which has been subject to misuse, negligence, accident or installed or operated in any other way than in accordance with our instructions, nor shall this warranty extend to repairs or replacement made necessary by the use of accessories not recommended by IDEAL.

IDEAL INDUSTRIES, INC.

Sycamore, IL 60178, U.S.A.

www.idealindustries.com

ND 5363-1