



PowerPlug™ Luminaire Disconnect - Model 102x

Installation Instructions:

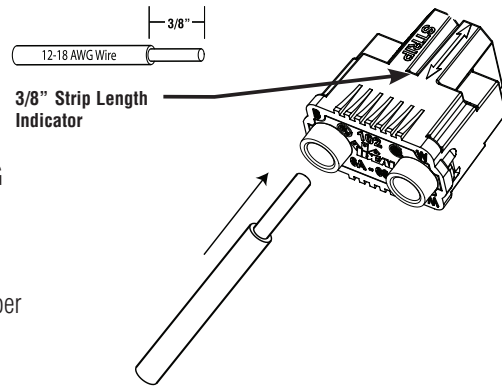
To be sold only with installation instructions.

! WARNING: This is a current rated device. Use in applications involving amperage beyond its rating can be dangerous and cause electrical fires. See note on this page for allowable current and voltage levels and do not exceed those levels.

Instructions:

Conductor installation:

1. Wiring must comply with all applicable electrical codes.
2. Turn off power before removing or installing disconnect.
3. Strip wires to 3/8 in. (9.5 mm). 18 AWG can be 3/8 in. to 1/2 in. strip.
4. Grip black ballast wire firmly and push conductor into gray cap ports marked with black. See diagram at right for proper wire insertion for ballast configuration.
5. Grip white ballast wire firmly and push conductor into same side of connector in ports marked with white.
6. Grip black supply wire firmly and push conductor into port opposite black ballast wire. (black circle)
7. Grip white supply wire firmly and push conductor into remaining port.
8. Use only one conductor per port and assure that no copper is exposed on any of the wires inserted.
9. See disconnect de-mate/mate installation instructions below when replacing ballasts.
10. The wire insertion side of this product is listed for ONE TIME USE ONLY. DO NOT REMOVE AND REPLACE WIRES.



! DANGER

NEVER remove wires from product as contact with electricity can cause serious injury or death. Shut off power at the circuit breaker or remove fuse when installing this product.

! SAFETY NOTICE

Improperly installed electrical wiring can be dangerous and cause electrical fires. This product must be used in accordance with the current rating and wire sizes listed. Consult local building code before doing any electrical work.

COPPER TO COPPER ONLY. Do not use on Aluminum. Temperature rating: 105 C (221F) maximum. Flame Rated UL94V-0.

Rated for a limited number of current-interrupting operations.

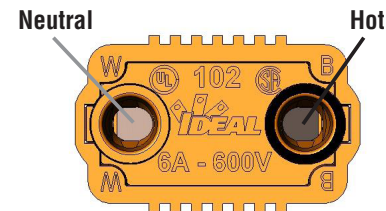
This disconnect is rated for 600 Volts/6 Amps maximum.

Wire Range	Line Side (Orange)	Ballast Side (Gray)
Solid:	12-18 AWG	18 AWG
Stranded:	12-14 AWG (19 Strand or less)	—
Stranded Tin Bonded:	12-14 AWG (19 Strand or less) 16 AWG (26 Strand or less) 18 AWG (16 Strand or less)	18 AWG (16 Strand or less)

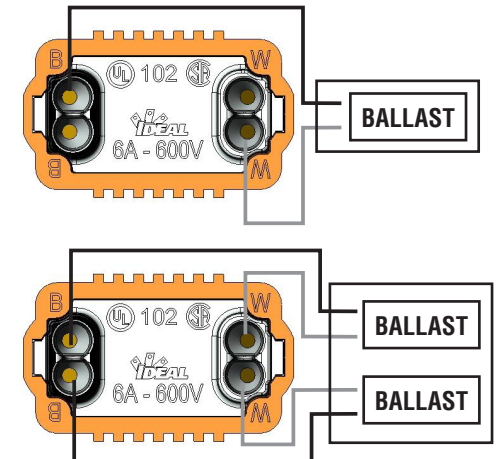
Disconnect de-mate / mate installation

1. To de-mate, grasp disconnect at each end and pull apart to separate the disconnect halves. Do NOT pull on wires.
2. To mate the disconnect, grasp each disconnect half, align halves, and push together.
3. Completed connection should appear as shown.

Line Side (2 ports) (Orange Cap)



Ballast Side (4 ports) (Gray Cap)



IDEAL INDUSTRIES, INC.

Becker Place
Sycamore, IL 60178, U.S.A.
800-435-0705 Customer Assistance
www.idealindustries.com

ND 7210-2