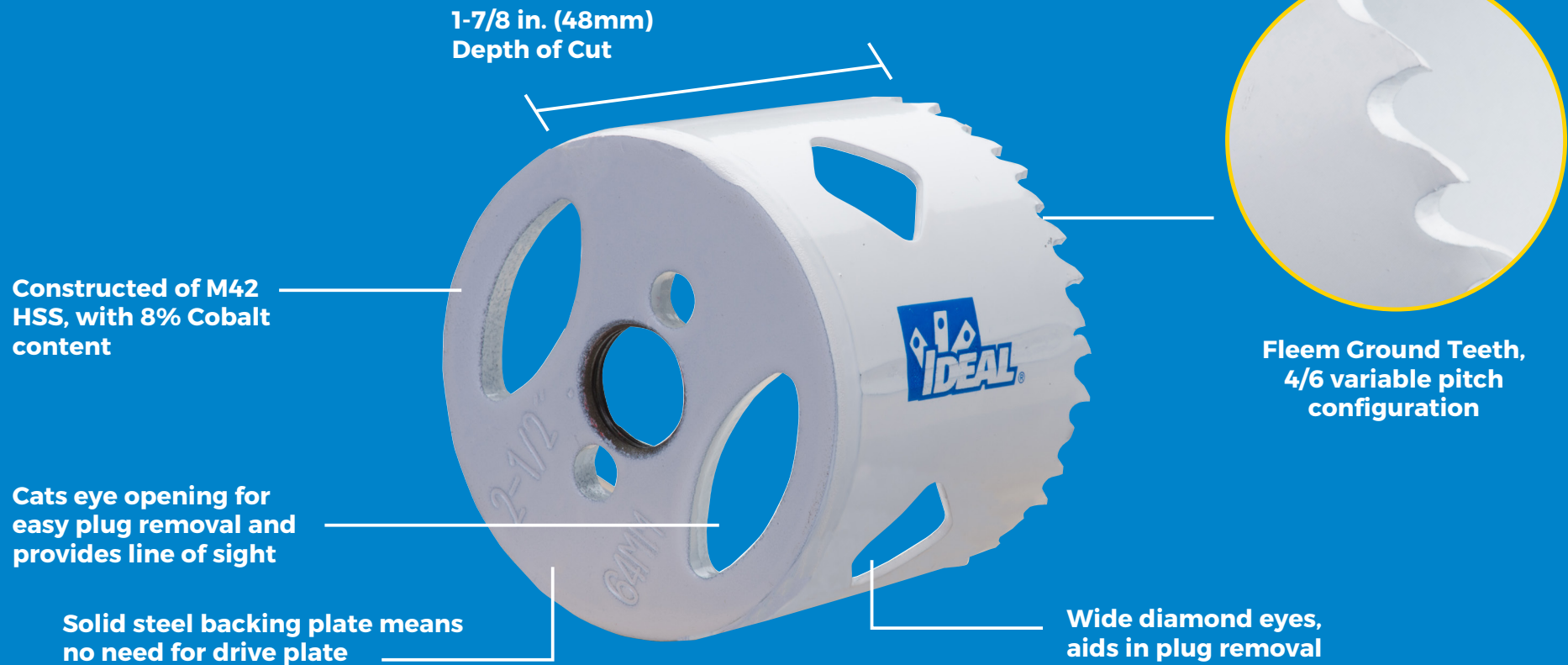


IDEAL BI-METAL HOLE SAW SELECTION GUIDE



THE ELECTRICIAN'S
CHAMPION™



IDEAL BI-METAL HOLE SAW SELECTION GUIDE

| Bi-Metal Hole Saw Diameter | | Pipe Tap Size | | Pipe Entrance Size | | Part No. |
|---|----|---------------|----|--------------------|----|---------------|
| Inches | MM | Inches | MM | Inches | MM | |
| Compatible with 1/4 in. Round Arbor 36-570, 3/8 in. Hex Arbor 36-571, 7/16 in. Hex Arbor 36-572. | | | | | | |
| 9/16 | 14 | | | | | 36-511 |
| 5/8 | 16 | | | | | 36-512 |
| 11/16 | 17 | | | | | 36-513 |
| 3/4 | 19 | 1/2 | 13 | 3/8 | 10 | 36-514 |
| 13/16 | 21 | | | | | 36-515 |
| 7/8 | 22 | 3/4 | 19 | 1/2 | 13 | 36-516 |
| 15/16 | 24 | | | | | 36-517 |
| 1 | 25 | | | | | 36-518 |
| 1-1/16 | 27 | | | | | 36-519 |
| 1-1/8 | 29 | 1 | 25 | 3/4 | 19 | 36-520 |
| 1-3/16 | 30 | | | | | 36-521 |
| Bi-Metal Hole Saw Diameter | | Pipe Tap Size | | Pipe Entrance Size | | Part No. |
| Inches | MM | Inches | MM | Inches | MM | |
| Compatible with 7/16 in. Hex Arbor 36-573, 3/8 in. Quick Change Arbor 36-574. | | | | | | |
| 1-1/4 in | 32 | | | | | 36-522 |
| 1-5/16 in | 33 | | | | | 36-523 |
| 1-3/8 in | 35 | | | | | 36-524 |
| 1-7/16 in | 37 | | | | | 36-525 |
| 1-1/2 in | 38 | 1-1/4 | 32 | | | 36-526 |
| 1-9/16 in | 40 | | | | | 36-527 |
| 1-5/8 in | 41 | | | | | 36-528 |
| 1-11/16 in | 43 | | | | | 36-529 |
| 1-3/4 in | 44 | 1-1/2 | 38 | 1-1/4 | 32 | 36-530 |
| 1-13/16 in | 46 | | | | | 36-531 |

| Bi-Metal Hole Saw Diameter | | Pipe Tap Size | | Pipe Entrance Size | | Part No. |
|--|----|---------------|----|--------------------|----|---------------|
| Inches | MM | Inches | MM | Inches | MM | |
| Compatible with 7/16 in. Hex Arbor 36-573, 3/8 in. Quick Change Arbor 36-574. | | | | | | |
| 1-7/8 in | 48 | | | | | 36-532 |
| 2 in | 51 | | | 1-1/2 | 38 | 36-533 |
| 2-1/16 in | 52 | | | | | 36-534 |
| 2-1/8 in | 54 | | | | | 36-535 |
| 2-1/4 in | 57 | 2 | 51 | | | 36-536 |
| 2-5/16 in | 59 | | | | | 36-537 |
| 2-3/8 in | 60 | | | | | 36-538 |
| 2-1/2 in | 64 | | | 2 | 51 | 36-539 |
| 2-9/16 in | 65 | | | | | 36-540 |
| 2-5/8 in | 67 | 2-1/2 | 64 | | | 36-541 |
| 2-3/4 in | 70 | | | | | 36-542 |
| 2-7/8 in | 73 | | | | | 36-543 |
| 3 in | 76 | | | 2-1/2 | 64 | 36-544 |
| 3-1/8 in | 79 | | | | | 36-545 |
| 3-1/4 in | 83 | 3 | 76 | | | 36-546 |
| 3-3/8 in | 86 | | | | | 36-547 |
| 3-1/2 in | 89 | | | | | 36-548 |
| 3-5/8 in | 92 | | | 3 | 76 | 36-549 |
| 3-3/4 in | 95 | 3-1/2 | 89 | | | 36-550 |
| 3-7/8 in | 98 | | | | | 36-551 |

| Bi-Metal Hole Saw Diameter | | Pipe Tap Size | | Pipe Entrance Size | | Part No. |
|--|-----|---------------|-----|--------------------|-----|---------------|
| Inches | MM | Inches | MM | Inches | MM | |
| Compatible with 7/16 in. Hex Arbor 36-573, 3/8 in. Quick Change Arbor 36-574. | | | | | | |
| 4 in | 102 | | | | | 36-552 |
| 4-1/8 in | 104 | | | 3-1/2 | 89 | 36-553 |
| 4-1/4 in | 108 | 4 | 102 | | | 36-554 |
| 4-3/8 in | 111 | | | | | 36-555 |
| 4-1/2 in | 114 | | | | | 36-556 |
| 4-3/4 in | 121 | 4-1/2 | 114 | 4 | 102 | 36-557 |
| 5 in | 127 | | | | | 36-558 |
| 5-1/2 in | 140 | | | 5 | 127 | 36-559 |
| 5-3/4 in | 146 | | | | | 36-560 |
| 6 in | 152 | | | | | 36-561 |

| Bulk Packs | Qty. | Part No. |
|------------|------|---------------|
| 7/8" | 10 | 36-562 |
| 1-1/8" | 10 | 36-563 |
| 1-3/8" | 10 | 36-564 |

DON'T FORGET the PILOT BIT

| Description | Part No. |
|---|---------------|
| 4-1/2 in. x 1/4 in. - Fits 36-570, 36-572, 35-273 | 36-575 |
| 3-1/4 in. x 1/4 in. - Fits 36-571, 36-574 | 36-576 |

THE ELECTRICIAN'S
CHAMPION™

