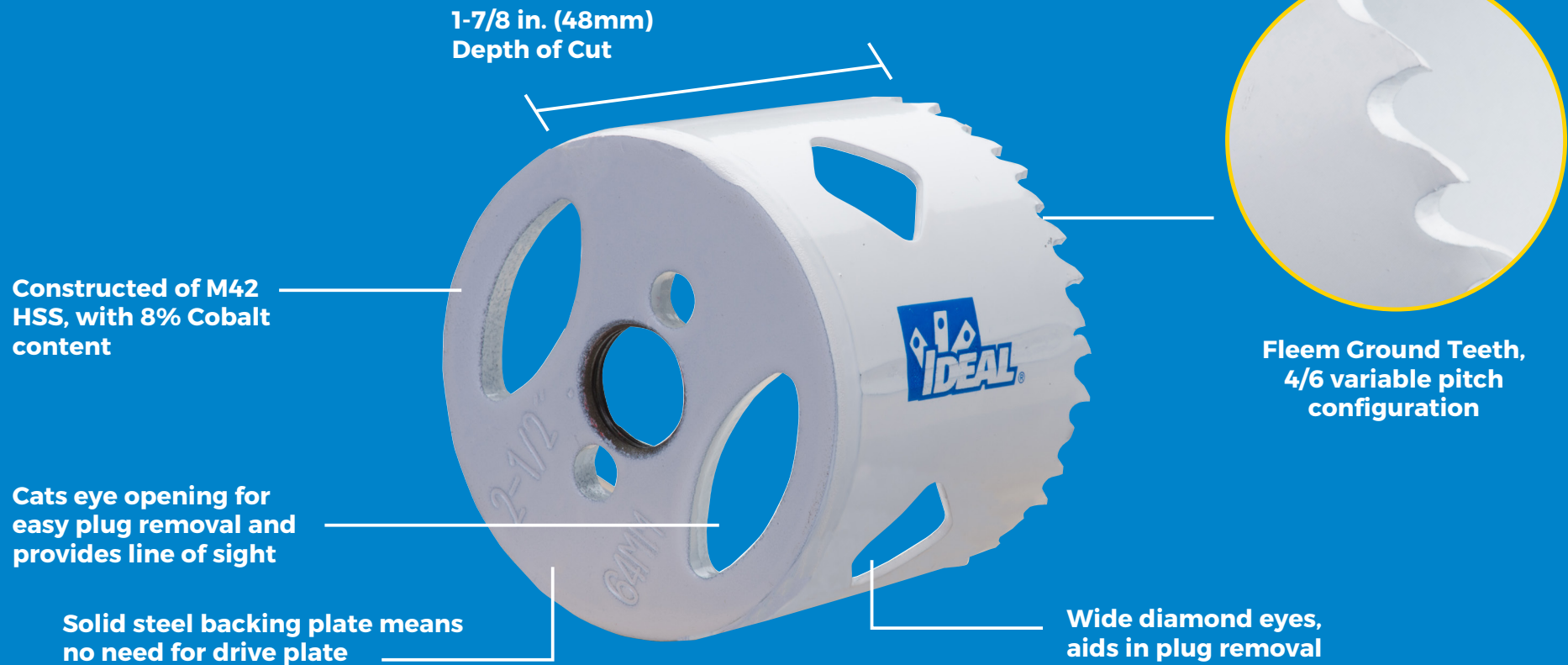


IDEAL BI-METAL HOLE SAW SELECTION GUIDE



THE ELECTRICIAN'S
CHAMPION™



IDEAL BI-METAL HOLE SAW SELECTION GUIDE

Bi-Metal Hole Saw Diameter		Pipe Tap Size		Pipe Entrance Size		Part No.
Inches	MM	Inches	MM	Inches	MM	
Compatible with 1/4 in. Round Arbor 36-570, 3/8 in. Hex Arbor 36-571, 7/16 in. Hex Arbor 36-572.						
9/16	14					36-511
5/8	16					36-512
11/16	17					36-513
3/4	19	1/2	13	3/8	10	36-514
13/16	21					36-515
7/8	22	3/4	19	1/2	13	36-516
15/16	24					36-517
1	25					36-518
1-1/16	27					36-519
1-1/8	29	1	25	3/4	19	36-520
1-3/16	30					36-521
Bi-Metal Hole Saw Diameter		Pipe Tap Size		Pipe Entrance Size		Part No.
Inches	MM	Inches	MM	Inches	MM	
Compatible with 7/16 in. Hex Arbor 36-573, 3/8 in. Quick Change Arbor 36-574.						
1-1/4 in	32					36-522
1-5/16 in	33					36-523
1-3/8 in	35					36-524
1-7/16 in	37					36-525
1-1/2 in	38	1-1/4	32			36-526
1-9/16 in	40					36-527
1-5/8 in	41					36-528
1-11/16 in	43					36-529
1-3/4 in	44	1-1/2	38	1-1/4	32	36-530
1-13/16 in	46					36-531

Bi-Metal Hole Saw Diameter		Pipe Tap Size		Pipe Entrance Size		Part No.
Inches	MM	Inches	MM	Inches	MM	
Compatible with 7/16 in. Hex Arbor 36-573, 3/8 in. Quick Change Arbor 36-574.						
1-7/8 in	48					36-532
2 in	51			1-1/2	38	36-533
2-1/16 in	52					36-534
2-1/8 in	54					36-535
2-1/4 in	57	2	51			36-536
2-5/16 in	59					36-537
2-3/8 in	60					36-538
2-1/2 in	64			2	51	36-539
2-9/16 in	65					36-540
2-5/8 in	67	2-1/2	64			36-541
2-3/4 in	70					36-542
2-7/8 in	73					36-543
3 in	76			2-1/2	64	36-544
3-1/8 in	79					36-545
3-1/4 in	83	3	76			36-546
3-3/8 in	86					36-547
3-1/2 in	89					36-548
3-5/8 in	92			3	76	36-549
3-3/4 in	95	3-1/2	89			36-550
3-7/8 in	98					36-551

Bi-Metal Hole Saw Diameter		Pipe Tap Size		Pipe Entrance Size		Part No.
Inches	MM	Inches	MM	Inches	MM	
Compatible with 7/16 in. Hex Arbor 36-573, 3/8 in. Quick Change Arbor 36-574.						
4 in	102					36-552
4-1/8 in	104			3-1/2	89	36-553
4-1/4 in	108	4	102			36-554
4-3/8 in	111					36-555
4-1/2 in	114					36-556
4-3/4 in	121	4-1/2	114	4	102	36-557
5 in	127					36-558
5-1/2 in	140			5	127	36-559
5-3/4 in	146					36-560
6 in	152					36-561

Bulk Packs	Qty.	Part No.
7/8"	10	36-562
1-1/8"	10	36-563
1-3/8"	10	36-564

DON'T FORGET the PILOT BIT

Description	Part No.
4-1/2 in. x 1/4 in. - Fits 36-570, 36-572, 35-273	36-575
3-1/4 in. x 1/4 in. - Fits 36-571, 36-574	36-576

THE ELECTRICIAN'S
CHAMPION™

