



#30-682SM
#30-682SF

PowerPlug™ Disconnect - Model 182S

Installation Instructions:

WARNING		
	<p>Electrical Shock Hazard. Contact with high voltage may cause falling, serious injury, or death. Disconnect power before servicing.</p>	
	<p>Electrical Fire Hazard. Use in application exceeding voltage and current ratings listed can cause an electrical fire resulting in serious injury or death. Only use in accordance with Tables 1, 2 and 3, and local electrical wiring code.</p>	

Instructions:

Conductor installation:

1. Wiring must comply with all applicable electrical codes.
2. Turn off power before removing or installing disconnect.
3. Strip wires to 3/8 inch (9,5 mm).
4. Grip wire firmly and push conductor while twisting the connector back and forth into port marked #1 on male connector half.
5. Repeat step 4 for port #2.
6. Repeat steps 4 and 5 for female connector half.
7. Use only one conductor per port and *assure that no copper is exposed on any of the wires inserted.*
8. See disconnect de-mate/mate installation instructions on this page when disconnecting the connector.
9. The wire insertion side of this product is listed for ONE TIME USE ONLY. DO NOT REMOVE AND REPLACE WIRES.

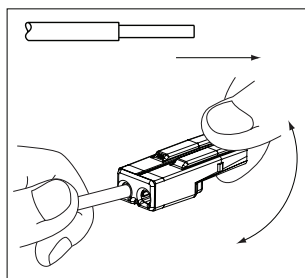


TABLE 3: Environmental Conditions

Environmental Conditions	Rating
Temperature Rating	105°C (221°F)
Flame Rating	UL94V-0

Disconnect de-mate / mate installation

1. To de-mate, grasp disconnect at each end and pull apart to separate the disconnect halves. Do NOT pull on wires.
2. To mate the disconnect, grasp each disconnect half, align halves, and push together.
3. Completed connection should appear as shown.

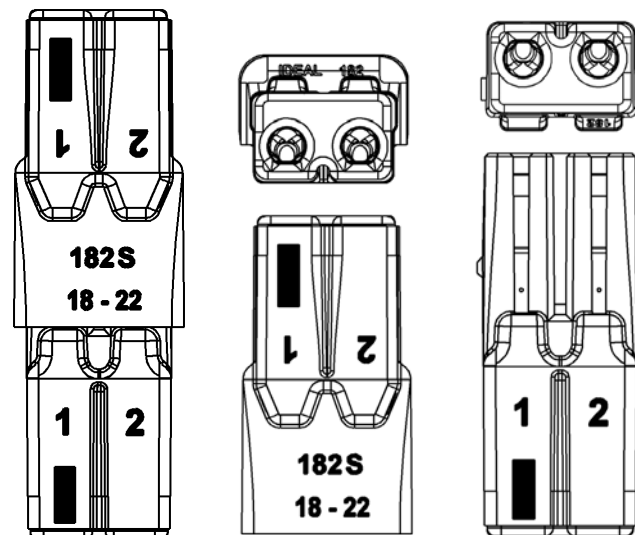


TABLE 1: Voltage/Current Maximum

Voltage (V)	Current (A)
600	3

TABLE 2: Wire Size & Type

Wire Type	Wire Size
Solid	18-22 AWG
Stranded	18 AWG (16 strand or less)
Tin Bonded	18-22 AWG (16 strand or less)
Copper to copper connections only. Do not use on Aluminum.	

IDEAL INDUSTRIES, INC.

1375 Park Avenue
Sycamore, IL 60178, U.S.A.
800-435-0705 Customer Assistance
www.idealind.com
ND 7520-4